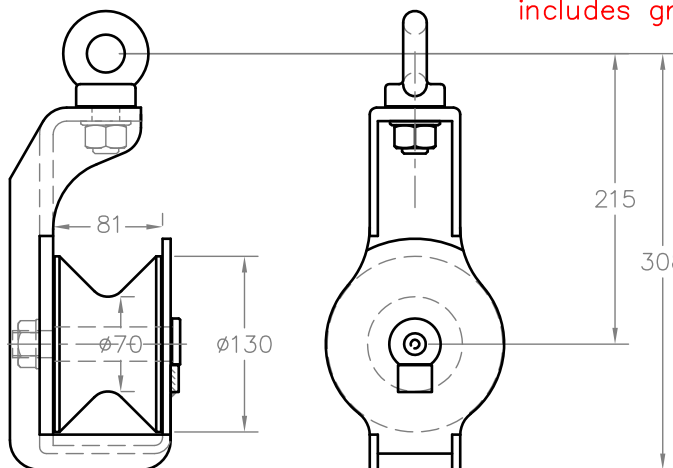


1/2 TON OPEN SIDED POTTING BLOCK with nylon replaceable sheave.
Suitable for rope.
Galvanised steel frame.
Stainless steel spindle is also replaceable and includes grease nipple.

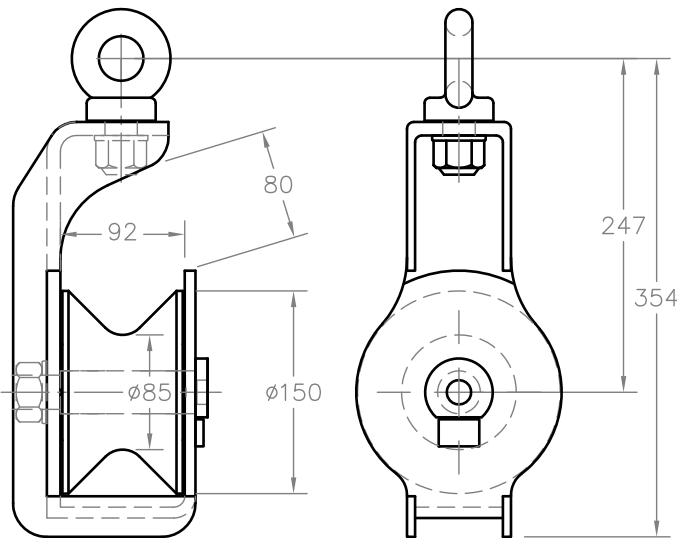
REF OSN05 (NYLON SHEAVE ONLY)
Wt. 2.5 Kg.

1 TON OPEN SIDED CAPTIVE POTTING BLOCK with nylon or cast iron replaceable sheave.
Suitable for rope.
Fabricated steel frame is finished galvanised.
Stainless steel spindle is also replaceable and includes grease nipple.



REF OCN1 for NYLON SHEAVE
REF OCC1 for CAST IRON SHEAVE
Wt. 6 Kg. (with nylon sheave)
Wt. 10 Kg. (with cast iron sheave)

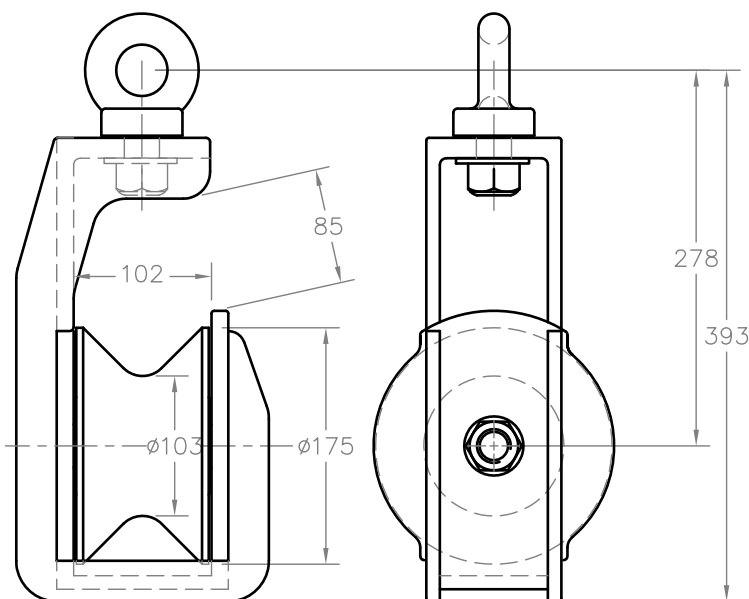
OPEN SIDED CAPTIVE POTTING BLOCKS with replaceable sheaves.
 Suitable for rope.
 Sheaves have replaceable bronze bushes, spindles are stainless steel
 and are replaceable.
 A grease nipple is provided for lubrication of sheave bearings.
 All blocks have a proof tested swivel eye.
 All blocks are Hot Dip Galvanised.



1.5 TON
 Steel frame finished galvanised.
 Generally suitable for potting with
 haulers up to 2000lb (1000kg) rated
 power.

REF OCC1.5 for CAST IRON SHEAVE
 Wt. 14Kg.

REF OCN1.5 for NYLON SHEAVE
 Wt. 9Kg.



2 TON
 Steel frame finished galvanised.
 Generally suitable for potting with
 haulers up to 3000lb (1500kg) rated
 power.

REF OCC2 CAST IRON SHEAVE ONLY
 Wt. 27Kg.