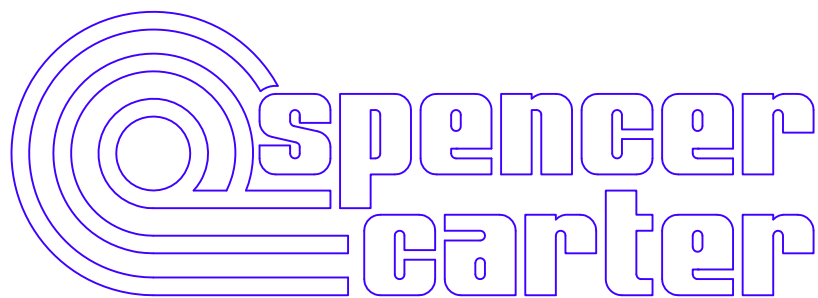
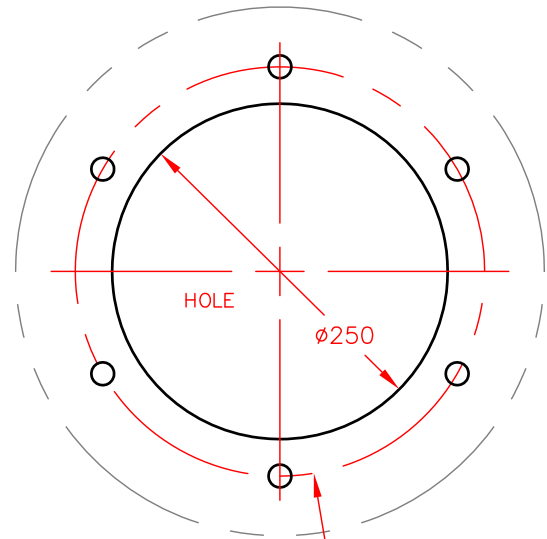
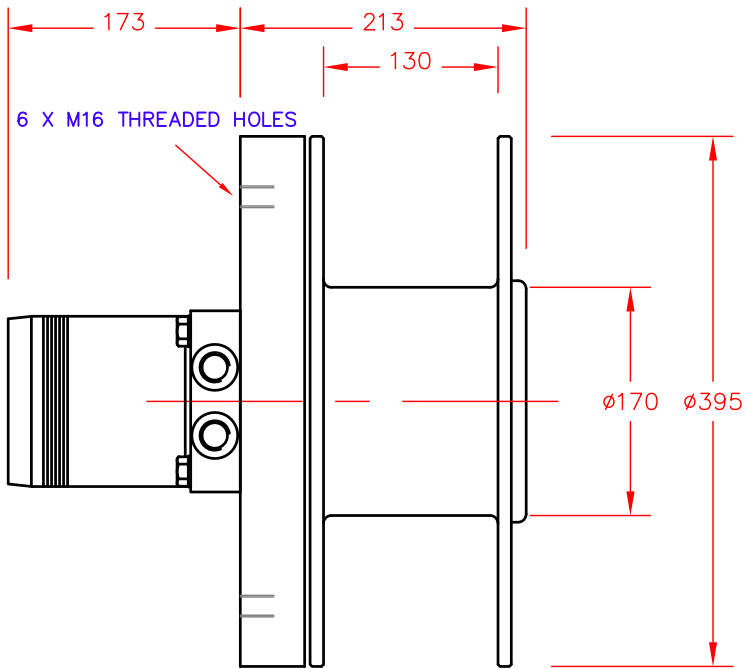


## 2000 LB CARGO WINCH - CW5

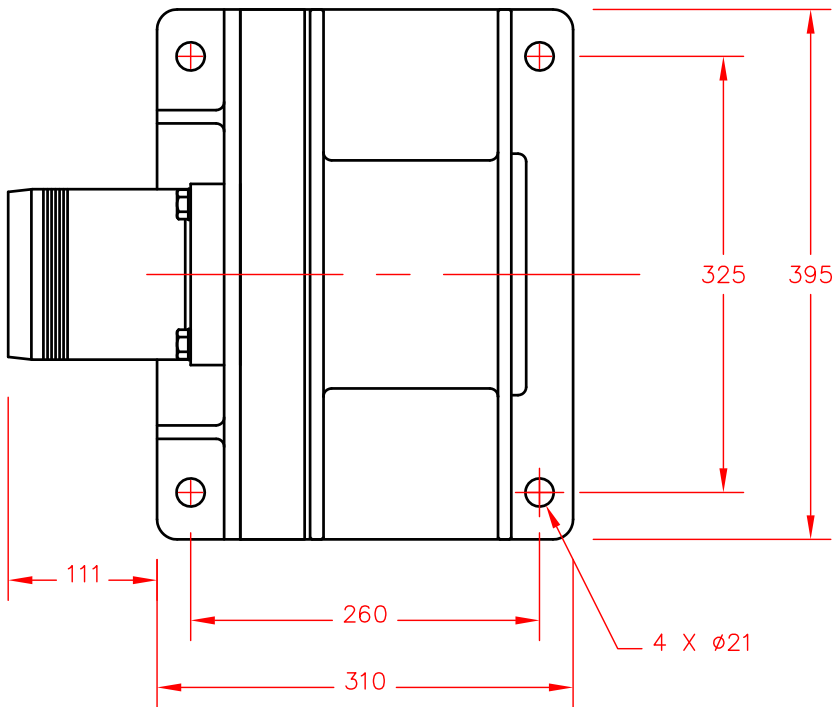


SPENCER CARTER LTD  
TREGONIGGIE INDUSTRIAL ESTATE  
FALMOUTH  
CORNWALL  
TR11 4SN  
U.K.

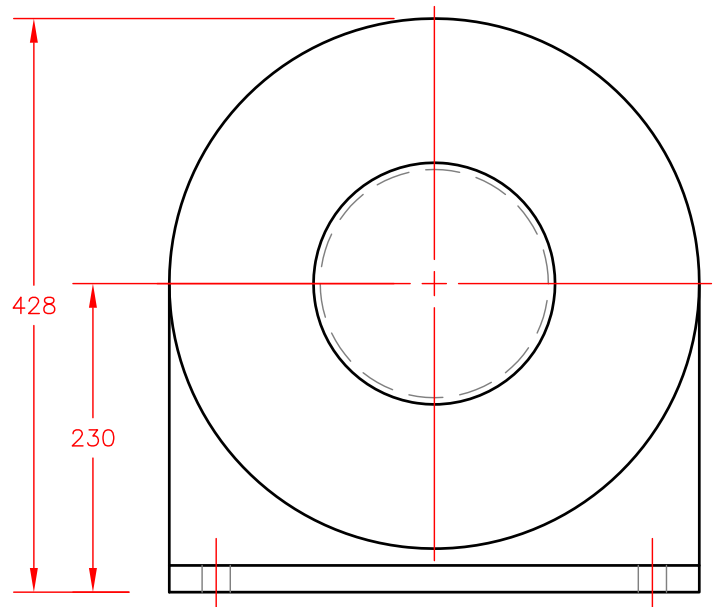
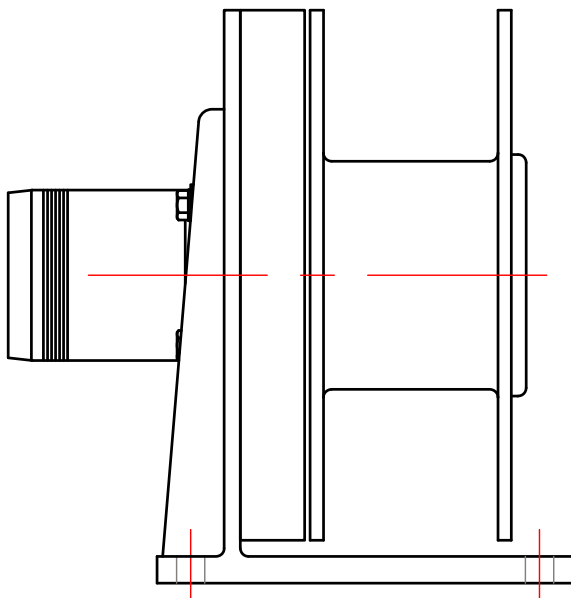
TEL. 01326 373423  
FAX. 01326 373571



2000 LB CARGO HANDLING WINCH REF CW5



ANGLED BASE MOUNTING REF. CB5.  
SHOWN ASSEMBLED WITH WINCH UNIT



## 2000 LB (900 KG.) CARGO HANDLING WINCH REF. CW5

The standard cargo winch is suitable for mounting against a plate or bulkhead with the hydraulic motor projecting from the reverse side of the mounting surface. An optional right angled base bracket is available for base mounting.

Substantial sealed bearings are provided for the winch drum. The hydraulic motor is not required to carry any side loading. Bearings are sealed and require no maintenance.

The base and bearing assembly are mainly aluminium for light weight. The winch drum is galvanised steel. The winch is finished painted in two part epoxy primer and top coat.

Working speeds quoted in the specification are generally suitable for cargo handling, fish boxes, and similar, from ship to quay side. The hydraulic supply can be modified for faster or slower working speeds.

The winch is intended for continuous operation, raising and lowering a load with intermittent support of a static load. Continuous support of a static load will cause the winch to creep, and the load will be gradually lowered.

## 2000 LB. (900 KG.) CARGO HANDLING WINCH REF CW5

HYDRAULIC MOTOR SIZE \_\_\_\_\_ 330 CC/REV  
MOTOR TORQUE \_\_\_\_\_ 980 NM.  
WINCH DRUM CAPACITY \_\_\_\_\_ 40 METRES / Ø10 MM WIRE  
WINCH DRUM SPEED \_\_\_\_\_ 150 RPM.  
APPROXIMATE HOIST SPEED \_\_\_\_\_ 1.5 METRES / SECOND  
FIRST LAYER PULL \_\_\_\_\_ 1100 KG.  
TOP LAYER PULL \_\_\_\_\_ 800 KG.

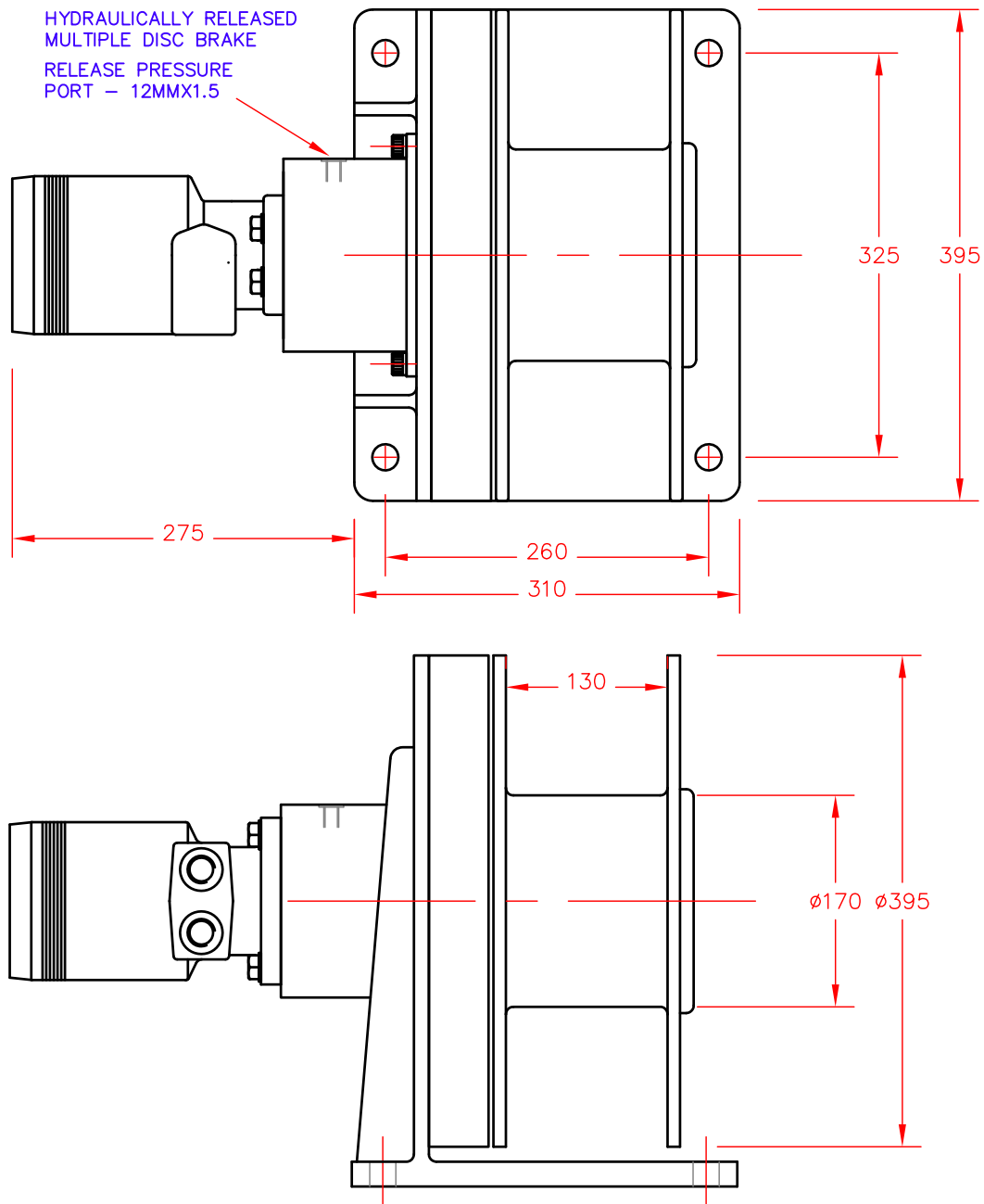
### HYDRAULIC INPUT REQUIRED TO SUIT AVERAGE WORKING SPEED:

INPUT FLOW \_\_\_\_\_ 50 LITRES/MIN.  
INPUT PRESSURE \_\_\_\_\_ 200 BAR

### TYPICAL CHOICE OF ASSOCIATED EQUIPMENT

HYDRAULIC PUMP/CLUTCH UNIT \_\_\_\_\_ REF. 3P14 (63 LPM @ 1000 RPM)  
RESERVOIR \_\_\_\_\_ REF. R18 (80 LITRE CAPACITY)  
RETURN LINE FILTER \_\_\_\_\_ REF. F2  
CONTROL VALVE \_\_\_\_\_ REF. 2V3  
HYDRAULIC HOSE SIZE \_\_\_\_\_ 3/4" BORE 2 WIRE REINFORCED

WEIGHT OF WINCH HEAD \_\_\_\_\_ APPROX. 60 KG.



2000 LB CARGO HANDLING WINCH WITH OPTIONAL MULTI DISC BRAKE  
AND WITH BASE MOUNTING BRACKET

BRAKE HOLD FIRST LAYER .....	1500 KG
WINCH TORQUE .....	980 NM
BRAKE HOLD TORQUE .....	1200 NM

THE HYDRAULIC CIRCUIT FOR THIS WINCH MUST INCLUDE A LOAD CONTROL VALVE (OVERCENTRE VALVE) WITH A BRAKE SHUTTLE INCLUDED. OPERATING PRESSURE WILL RELEASE THE BRAKE.