

BLOCKS
BLOCKS
BLOCKS
BLOCKS
BLOCKS
BLOCKS
BLOCKS
BLOCKS
BLOCKS



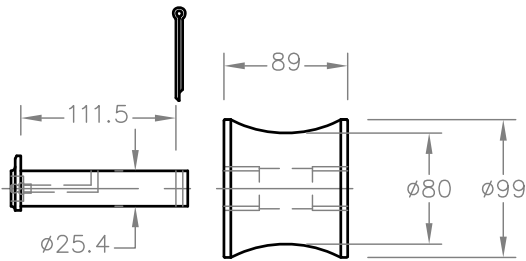
 **spencer
carter**

SPENCER-CARTER LTD
FALMOUTH, CORNWALL
TR11 4SN

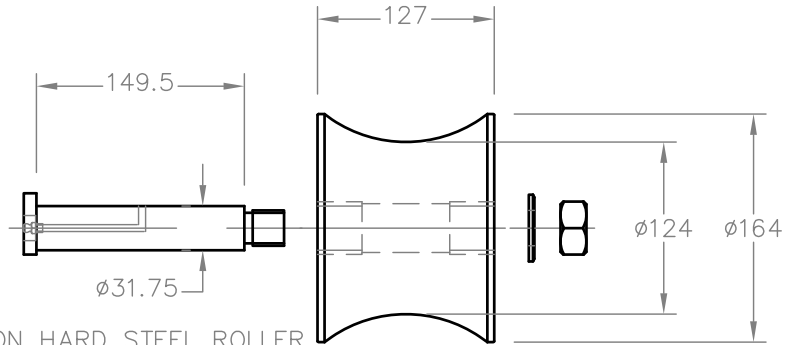
TEL: (01326) 373423
FAX: (01326) 373571

www.spencercarter.com

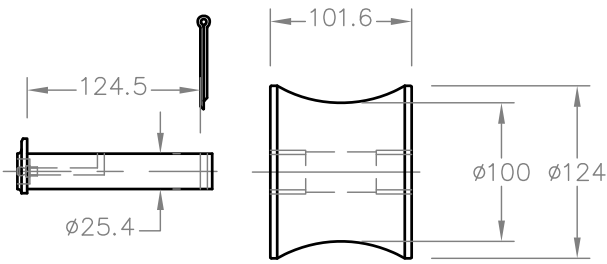
HARDENED STEEL SHEAVES are particularly well suited to wire rope and will provide exceptionally good service life. Sheaves have bronze bush bearings. Sheaves and Stainless steel pins are available as shown below for replacement or new frame constructions.



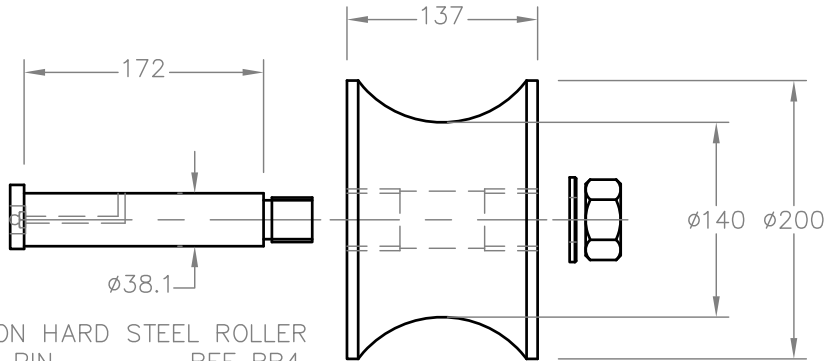
1 TON HARD STEEL ROLLER
AND PIN
REF SR1
Wt. 5 Kg.



3.5 TON HARD STEEL ROLLER
AND PIN
REF LR3
Wt. 16 Kg.

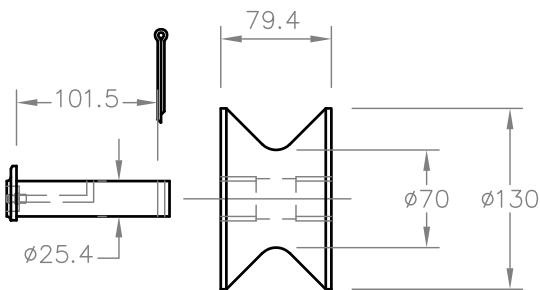


1.5 TON HARD STEEL ROLLER
AND PIN
REF MR2
Wt. 8 Kg.

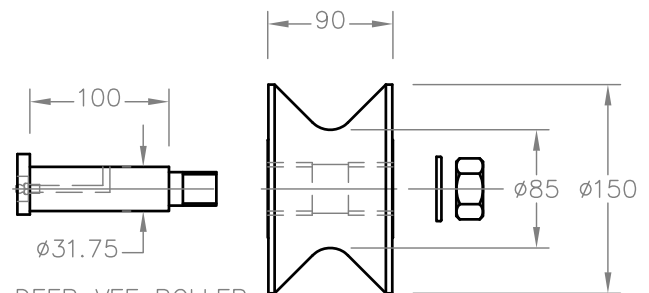


6 TON HARD STEEL ROLLER
AND PIN
REF BR4
Wt. 22 Kg.

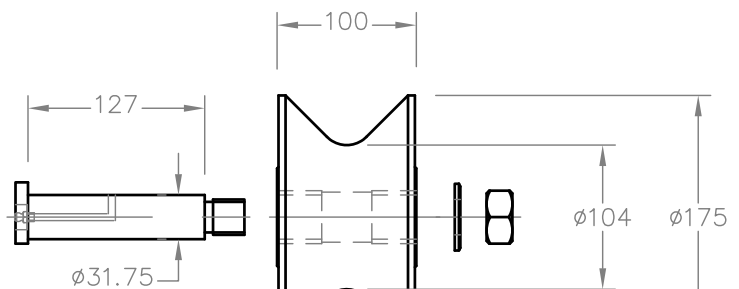
POTTING BLOCK SHEAVES are made in Cast Iron or Nylon.



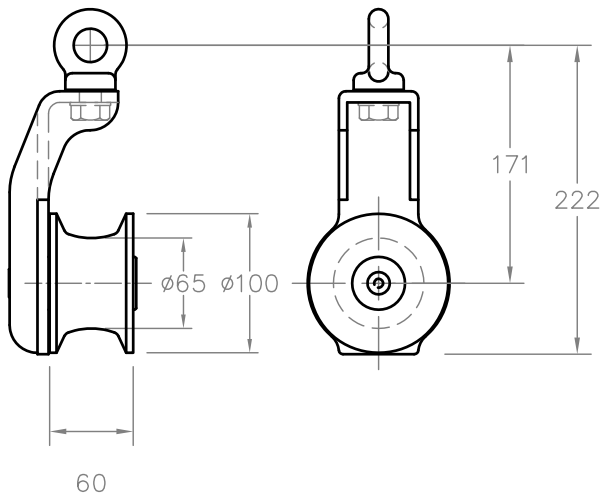
1 TON DEEP VEE ROLLER
AND PIN.
REF RN1 for NYLON
REF RC1 for CAST IRON



1.5 TON DEEP VEE ROLLER
AND PIN.



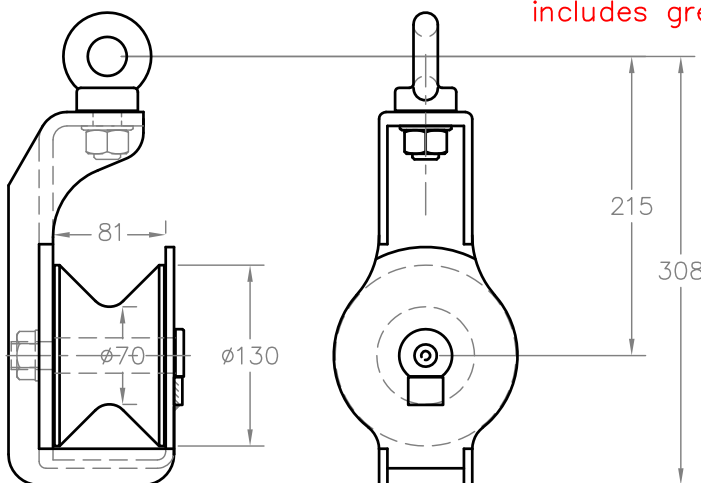
2 TON DEEP VEE ROLLER
AND PIN.
REF RC2 for CAST IRON



1/2 TON OPEN SIDED POTTING BLOCK with nylon replaceable sheave.
Suitable for rope.
Galvanised steel frame.
Stainless steel spindle is also replaceable and includes grease nipple.

REF OSN05 (NYLON SHEAVE ONLY)
Wt. 2.5 Kg.

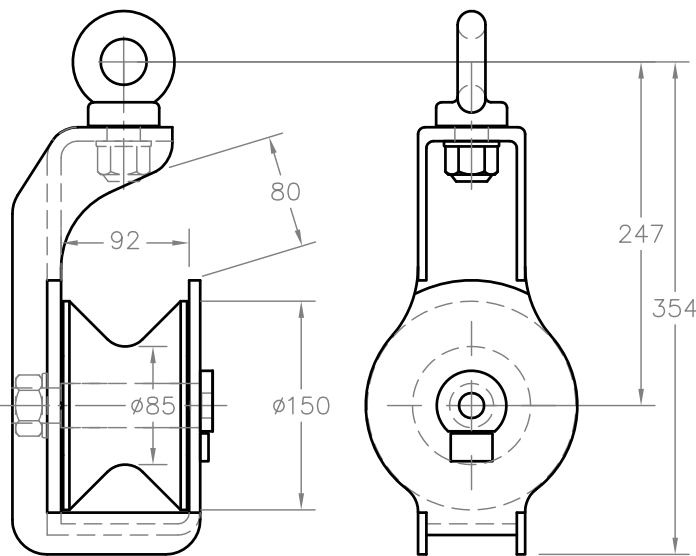
1 TON OPEN SIDED CAPTIVE POTTING BLOCK with nylon or cast iron replaceable sheave.
Suitable for rope.
Fabricated steel frame is finished galvanised.
Stainless steel spindle is also replaceable and includes grease nipple.



REF OCN1 for NYLON SHEAVE
REF OCC1 for CAST IRON SHEAVE

Wt. 6 Kg. (with nylon sheave)
Wt. 10 Kg. (with cast iron sheave)

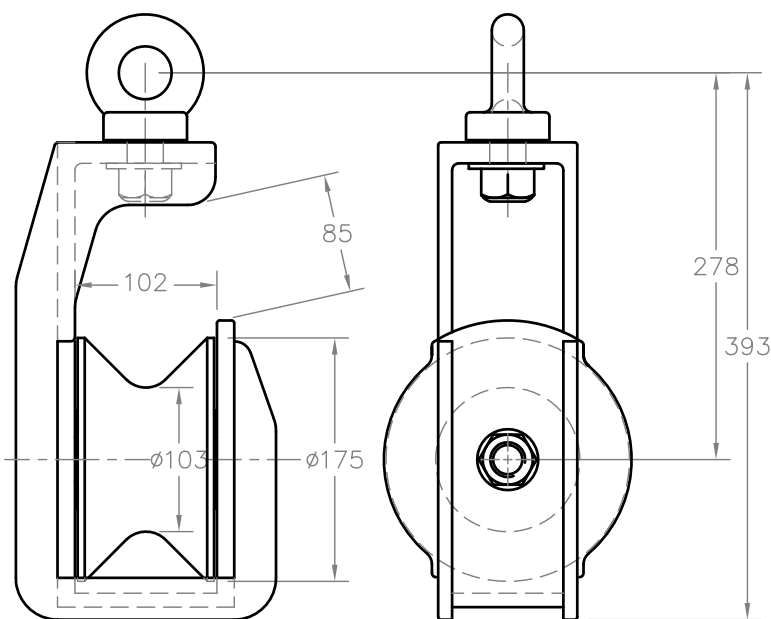
OPEN SIDED CAPTIVE POTTING BLOCKS with replaceable sheaves.
 Suitable for rope.
 Sheaves have replaceable bronze bushes, spindles are stainless steel and are replaceable.
 A grease nipple is provided for lubrication of sheave bearings.
 All blocks have a proof tested swivel eye.
 All blocks are Hot Dip Galvanised.



1.5 TON
 Steel frame finished galvanised.
 Generally suitable for potting with haulers up to 2000lb (1000kg) rated power.

REF OCC1.5 for CAST IRON SHEAVE
 Wt. 14Kg.

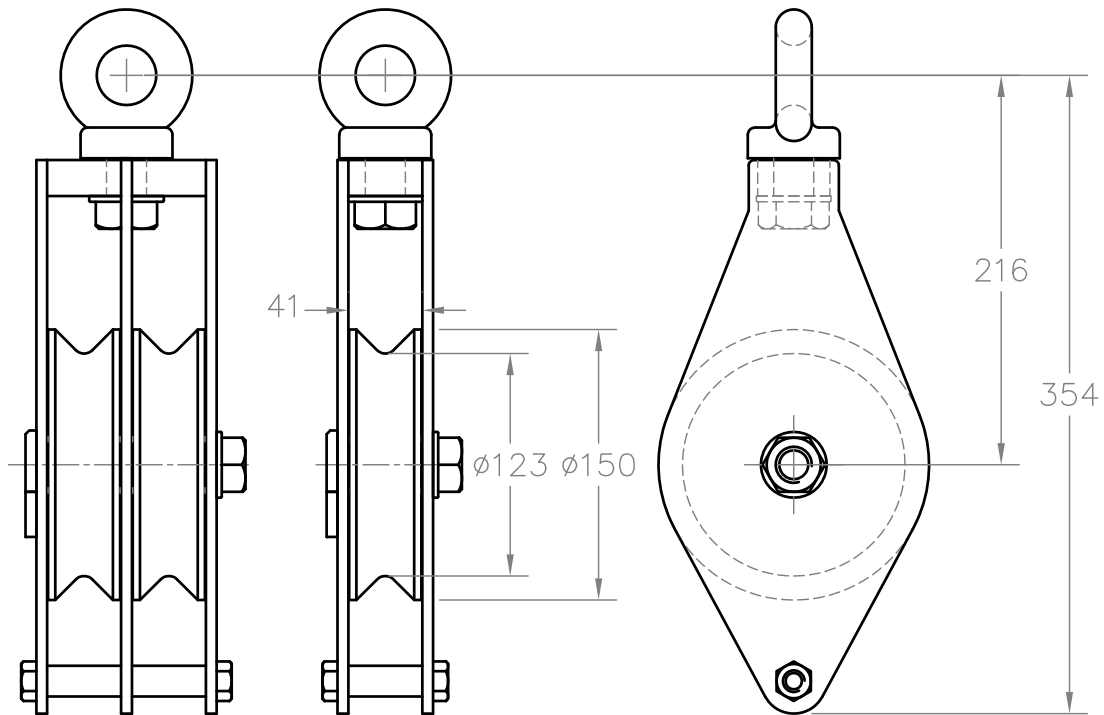
REF OCN1.5 for NYLON SHEAVE
 Wt. 9Kg.



2 TON
 Steel frame finished galvanised.
 Generally suitable for potting with haulers up to 3000lb (1500kg) rated power.

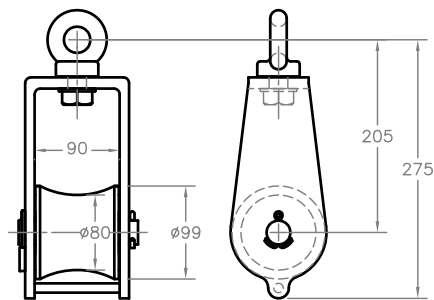
REF OCC2 CAST IRON SHEAVE ONLY
 Wt. 27Kg.

GILSEN BLOCKS with single or double sheaves, and with becket.
 Sheaves are replaceable hardened steel and are fitted with bronze
 bushed bearings.
 The spindle is drilled and fitted with a grease nipple for lubrication.
 Suitable for wire or rope.
 Fabricated steel frames are finished hot dip galvanised.

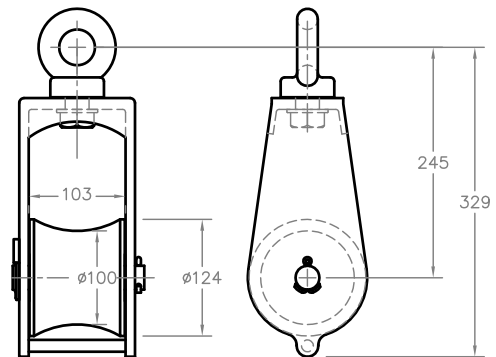


2 TON GILSEN BLOCK WITH BECKET
 SINGLE SHEAVE WT. 8.8 KG.
 DOUBLE SHEAVE WT. 14.2 KG.

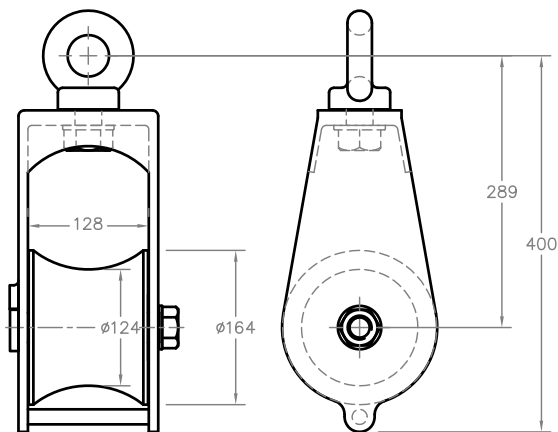
TRAWL BLOCKS for wire, have hardened steel sheaves with bronze bushed bearings.
Frames for hanging blocks are steel fabricated and finished galvanised.
Stainless steel spindles are drilled and fitted with a grease nipple for lubrication.



1 TON TRAWL BLOCK REF ST1
Wt 8.5 Kg.

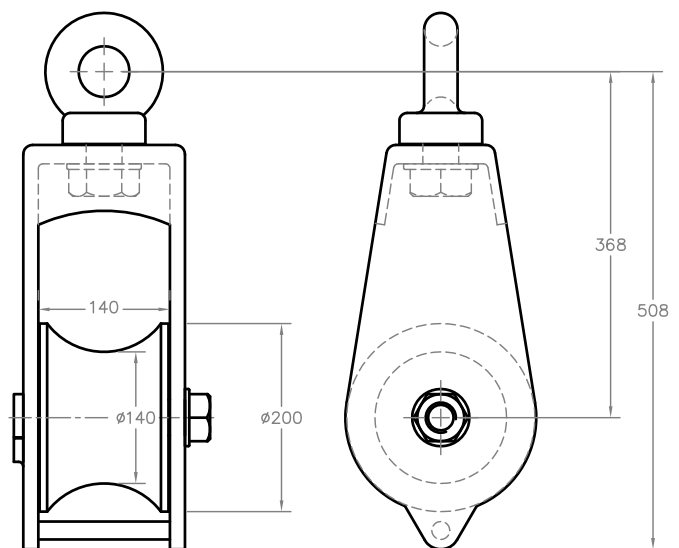


1.5 TON TRAWL BLOCK REF MT2
Wt 14 Kg.



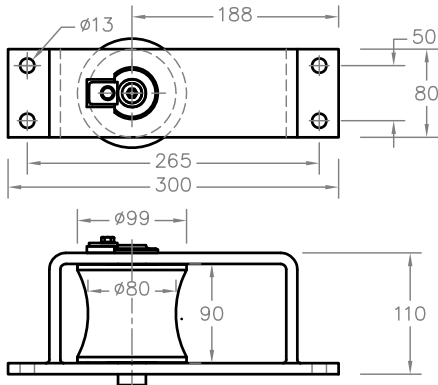
3.5 TON TRAWL BLOCK REF LT3
Wt 26 Kg.

HARDENED STEEL SHEAVES are particularly well suited to wire rope and will provide exceptionally good service life. Sheaves and pins are replaceable.

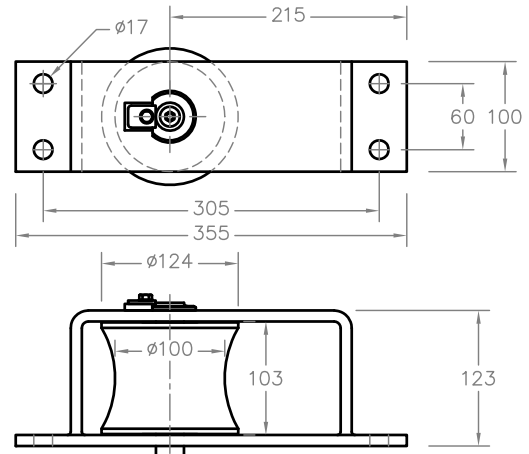


6 TON TRAWL BLOCK REF BT4
Wt 47 Kg.

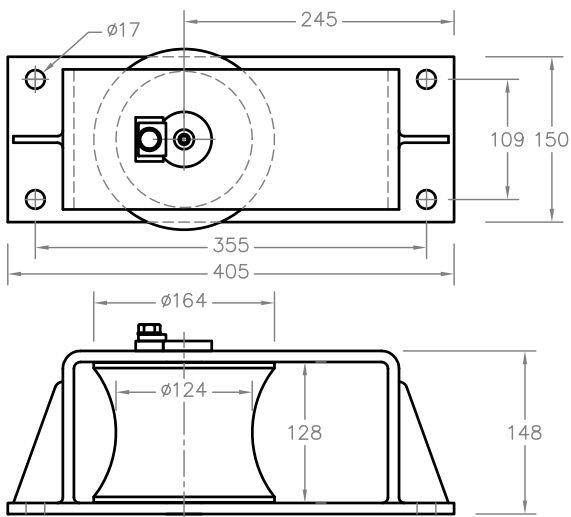
DECK BLOCKS for wire, have hardened steel sheaves with bronze bushed bearings. Frames for deck blocks are steel fabricated and finished galvanised. Stainless steel spindles are drilled and fitted with a grease nipple for lubrication.



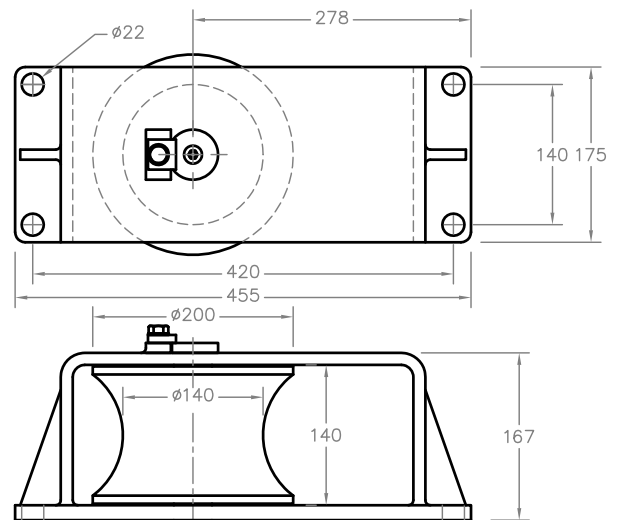
1 TON DECK BLOCK REF SD1
Wt 8.5 Kg.



1.5 TON DECK BLOCK REF MD2
Wt 14 Kg.



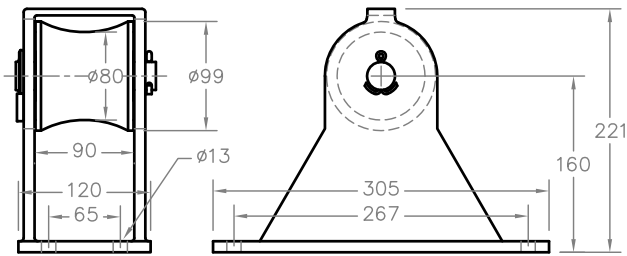
3.5 TON DECK BLOCK REF LD3
Wt 26 Kg.



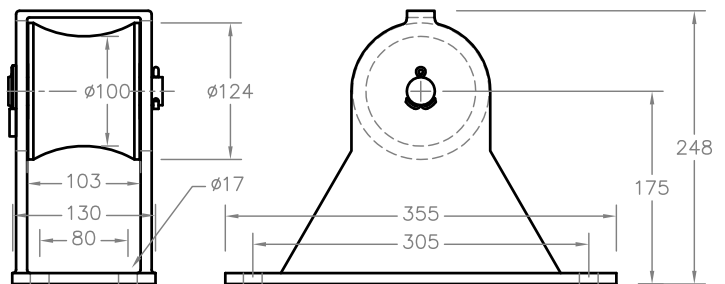
6 TON DECK BLOCK REF BD4
Wt 46 Kg.

HARDENED STEEL SHEAVES are particularly suitable for wire rope and will provide exceptionally good service life. Sheaves and pins are replaceable.

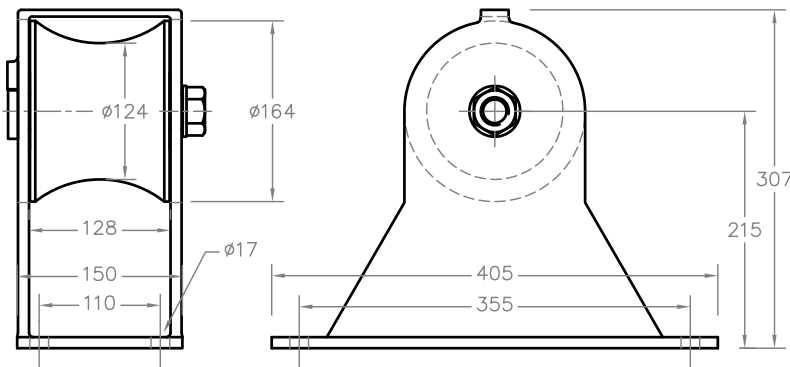
DECK BLOCKS for wire, have hardened steel sheaves with bronze bushed bearings. Frames for deck blocks are steel fabricated and finished galvanised. Stainless steel spindles are drilled and fitted with a grease nipple for lubrication.



1 TON DECK BLOCK 'A' TYPE
REF SD1A Wt 11 Kg.

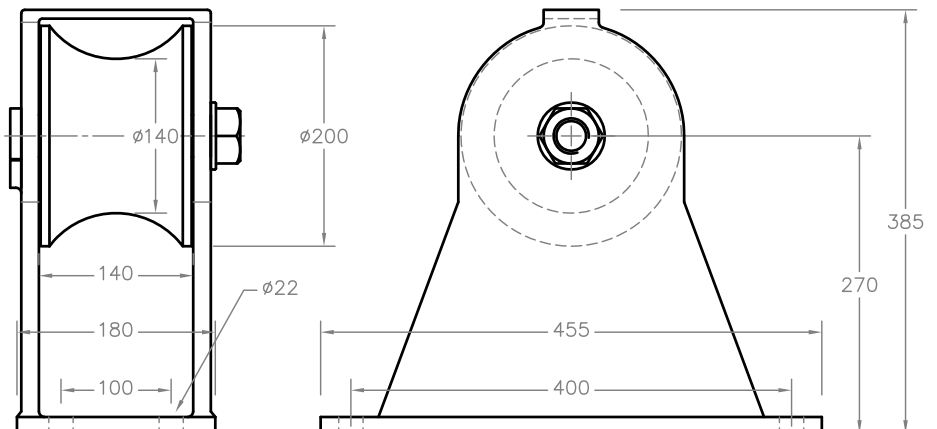


1.5 TON DECK BLOCK 'A' TYPE
REF MD2A Wt 17 Kg.



3.5 TON DECK BLOCK 'A' TYPE
REF LD3A Wt 28 Kg.

HARDENED STEEL SHEAVES are particularly well suited to wire rope and will provide exceptionally good service life. Sheaves and pins are replaceable.

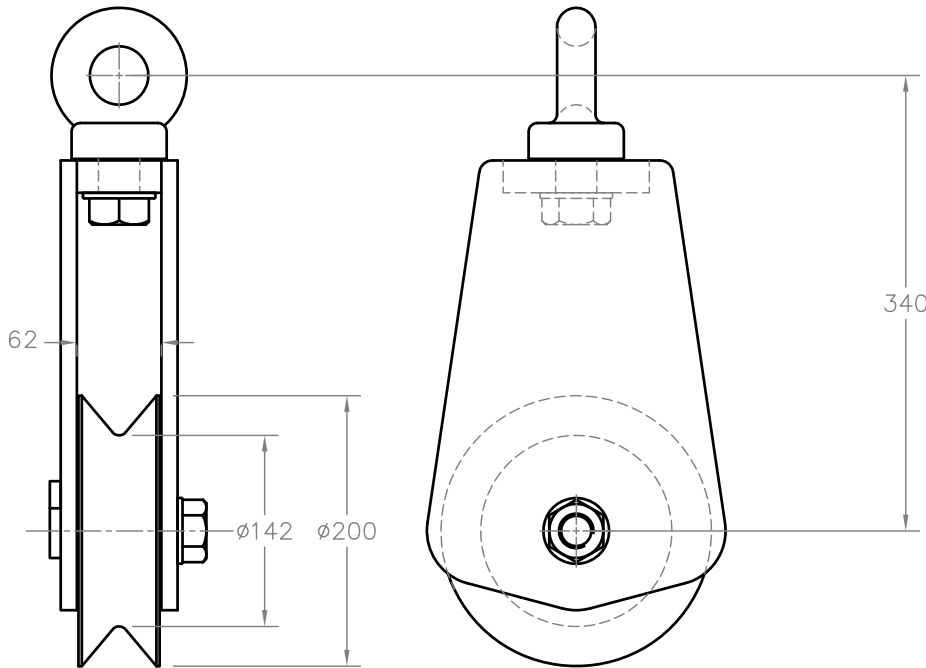


6 TON DECK BLOCK 'A' TYPE
REF BD4A Wt 48 Kg.

BEAM TRAWLING BLOCKS fitted with replaceable hardened steel sheaves most suitable for use with wire rope.

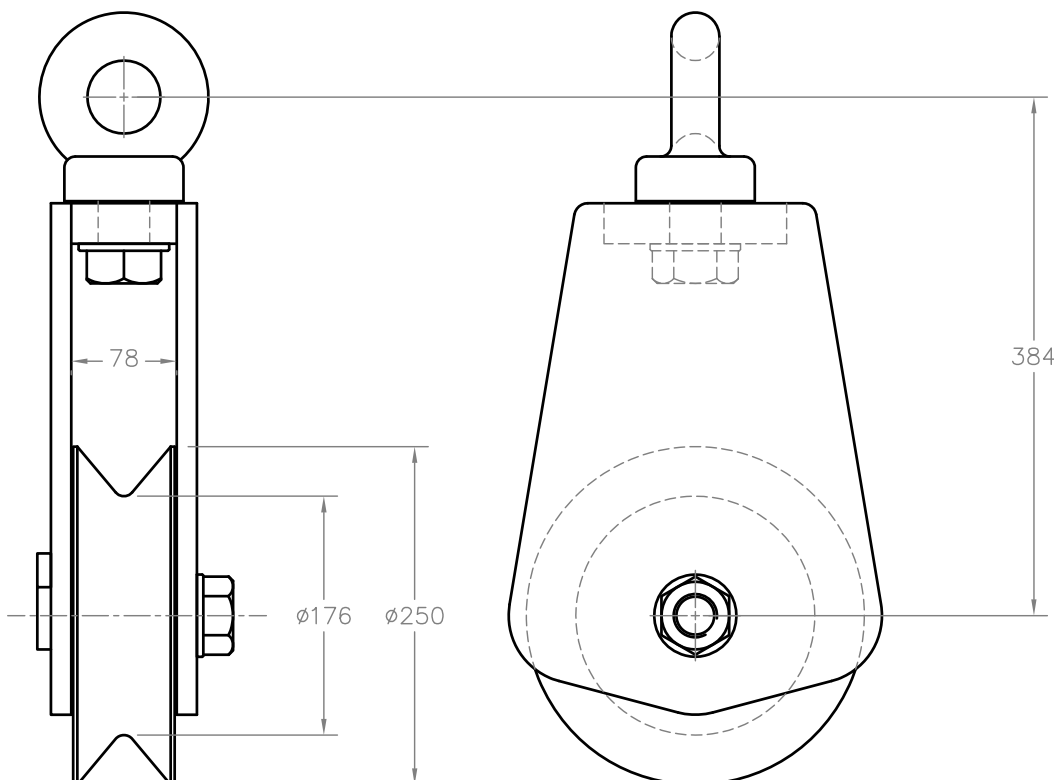
Sheaves have bronze bushed bearings, spindles are drilled and fitted with a grease nipple for lubrication.

Frames are fabricated steel and finished hot dip galvanised.



**3.5 TON BEAM TRAWLING BLOCK
REF LB3**

Wt. 25 kg.



**6 TON BEAM TRAWLING BLOCK
REF BB4**

Wt. 43 kg.