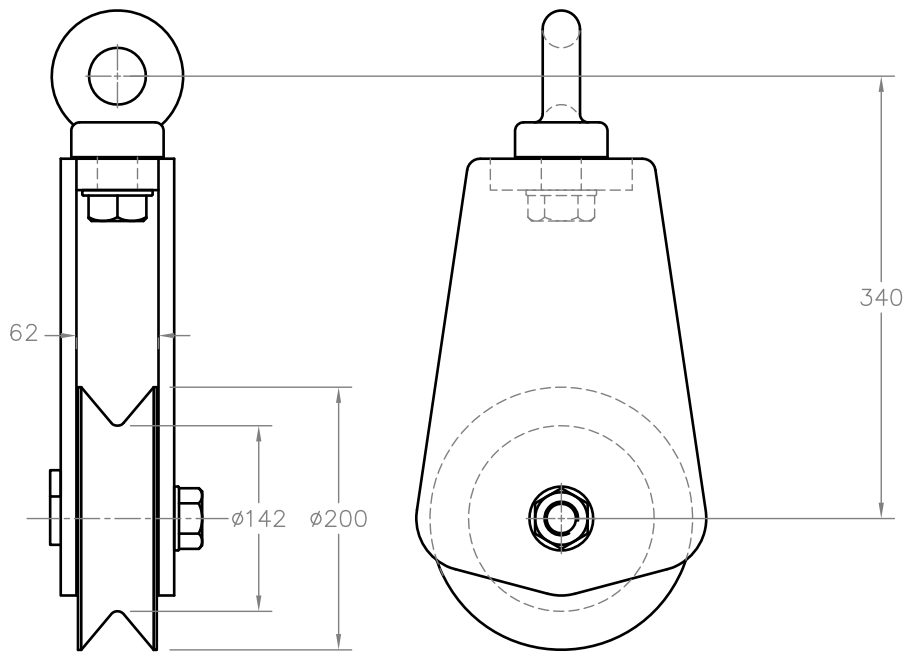
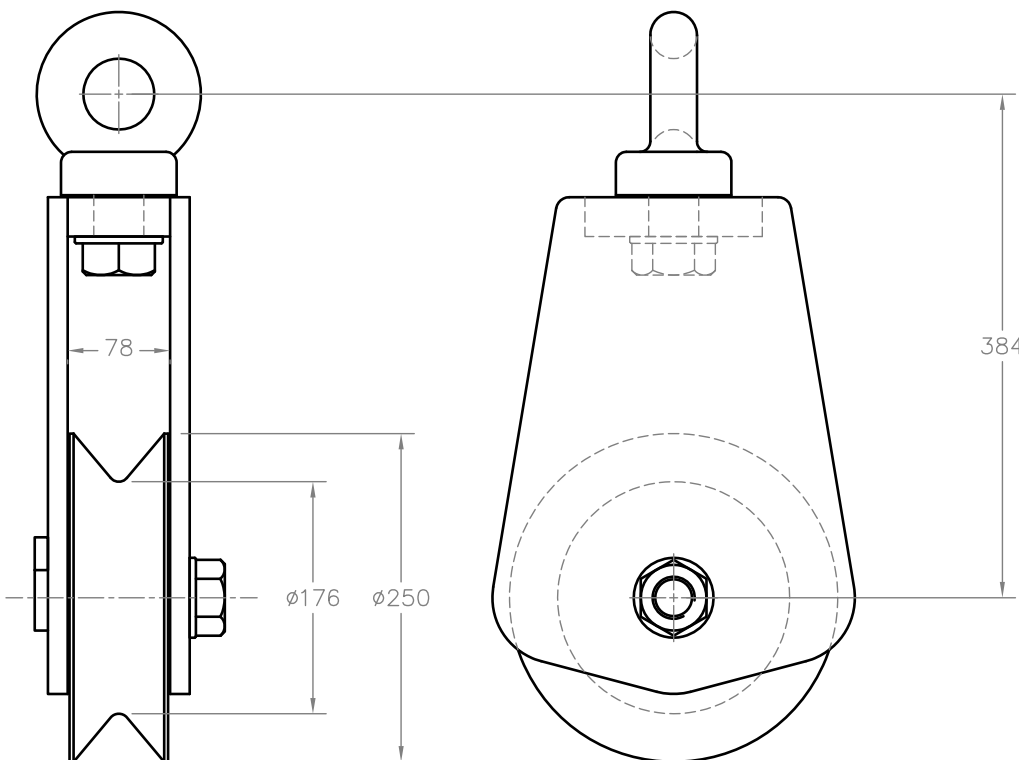


BEAM TRAWLING BLOCKS fitted with replaceable hardened steel sheaves most suitable for use with wire rope. Sheaves have bronze bushed bearings, spindles are drilled and fitted with a grease nipple for lubrication. Frames are fabricated steel and finished hot dip galvanised.



3.5 TON BEAM TRAWLING BLOCK
REF LB3

Wt. 25 kg.



6 TON BEAM TRAWLING BLOCK
REF BB4

Wt. 43 kg.