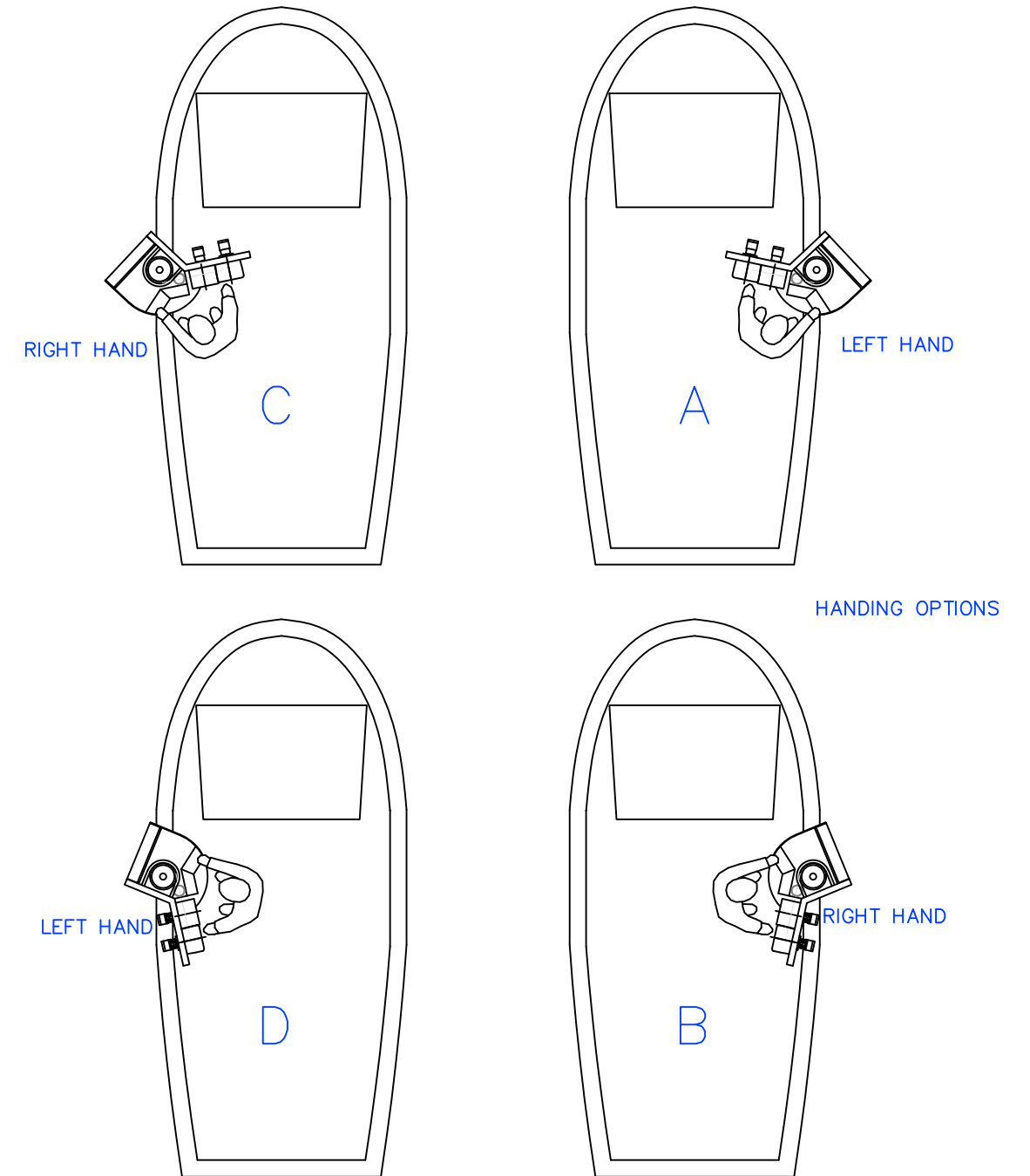
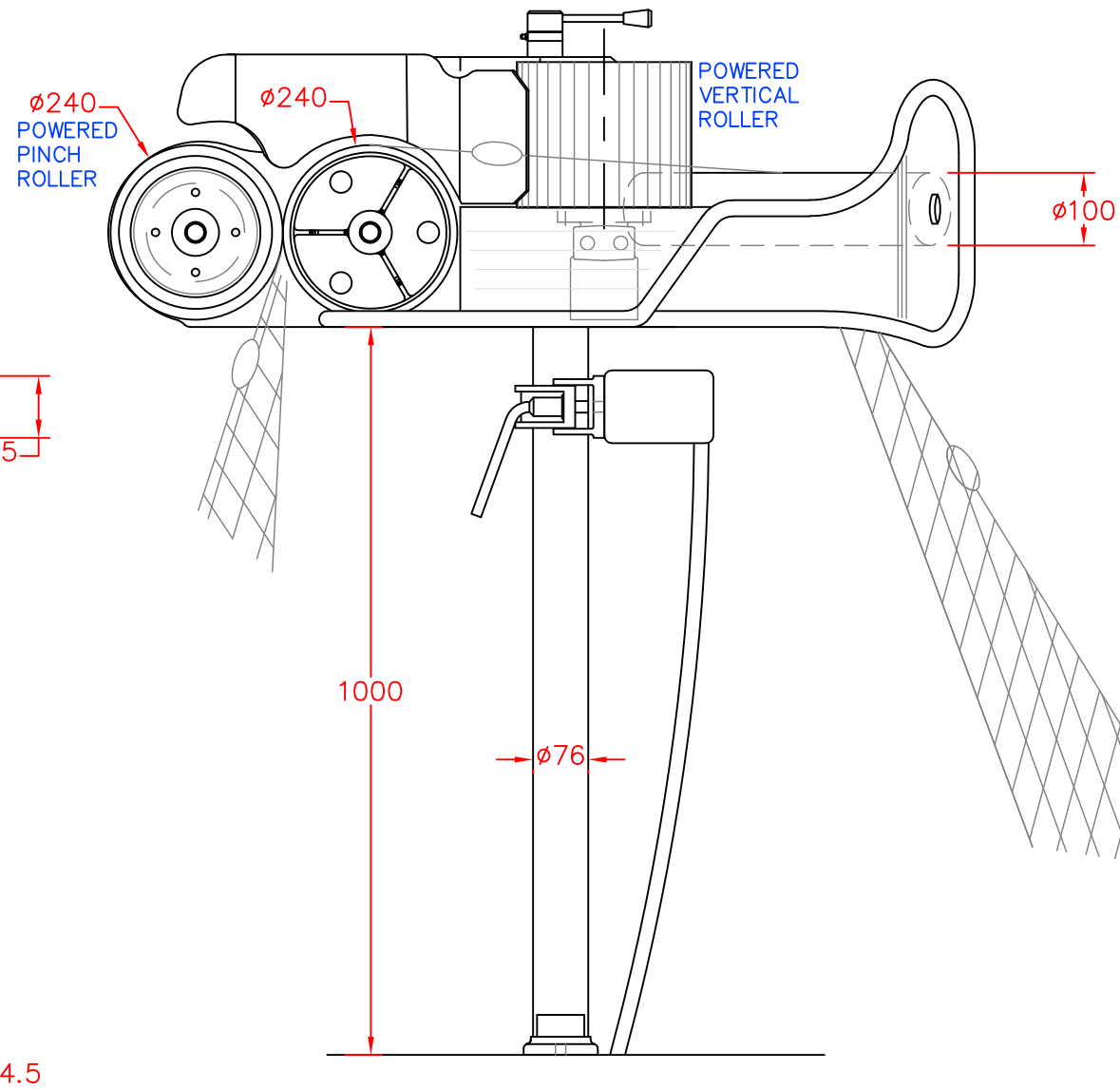
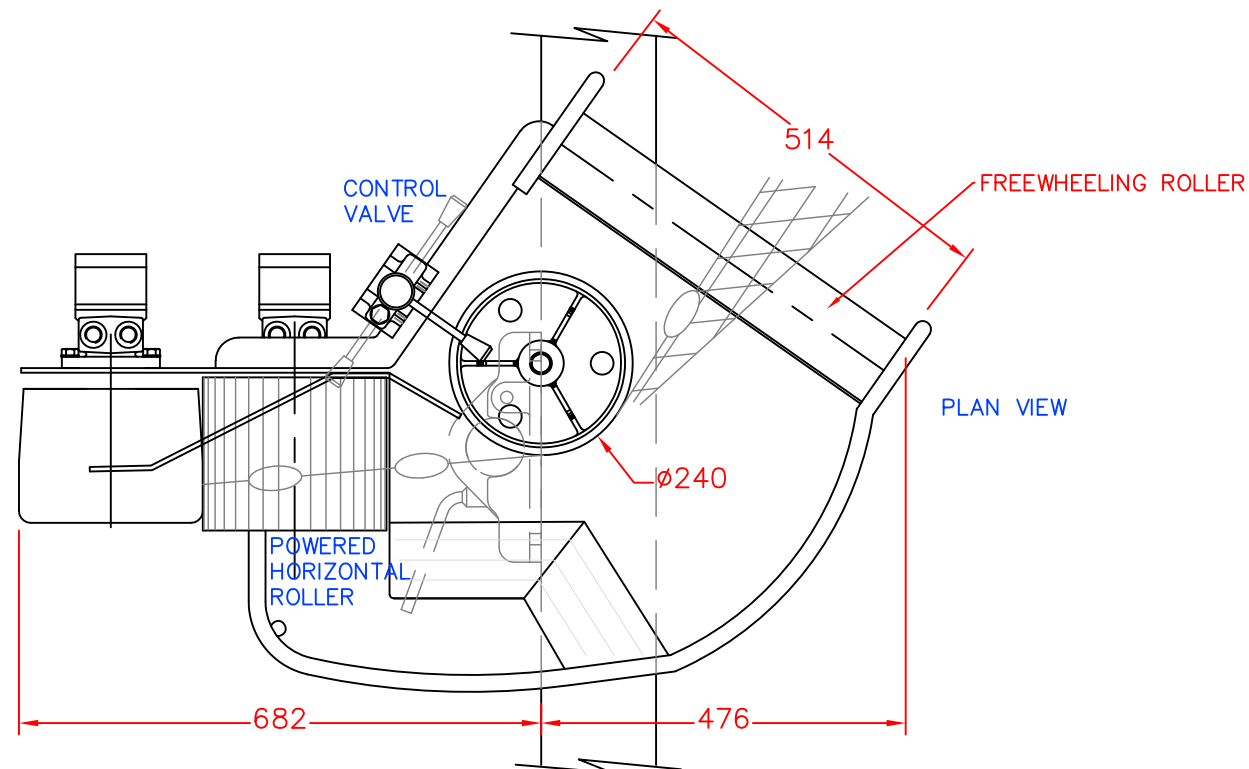


NHO-02



STANDARD SPECIFICATION:


WORKING RETRIEVE SPEED 55 METRES/MINUTE
 MAXIMUM RETRIEVE SPEED 105 METRES/MINUTE
 WORKING RETRIEVE PULL 300 KG MAX..

HYDRAULIC SUPPLY REQUIRED:

FOR WORKING SPEED 14 LITRES/MINUTE
 FOR MAXIMUM SPEED 27 LITRES/MINUTE

WORKING PRESSURE 140 BAR

WEIGHT.....APPROX. 65 KGS

ALTERATIONS	DATE	ALTERATIONS	DATE	MATERIAL	MACHINING TOLERANCES ONE DEC. PLACE (.0) = ±.15mm TWO DEC. PLACE (.00) = ±.05mm NO DEC. PLACE = ±.4mm UNLESS OTHERWISE STATED		TITLE NET HAULER - NHO-02	
				FINISH			SCALE 1:10	DRG.NO. 623-967
				DRN. A.M.	DATE 25.05.17		SPENCER CARTER LTD. FALMOUTH, CORNWALL, U.K.	TEL. (01326) 373423 FAX. (01326) 373571