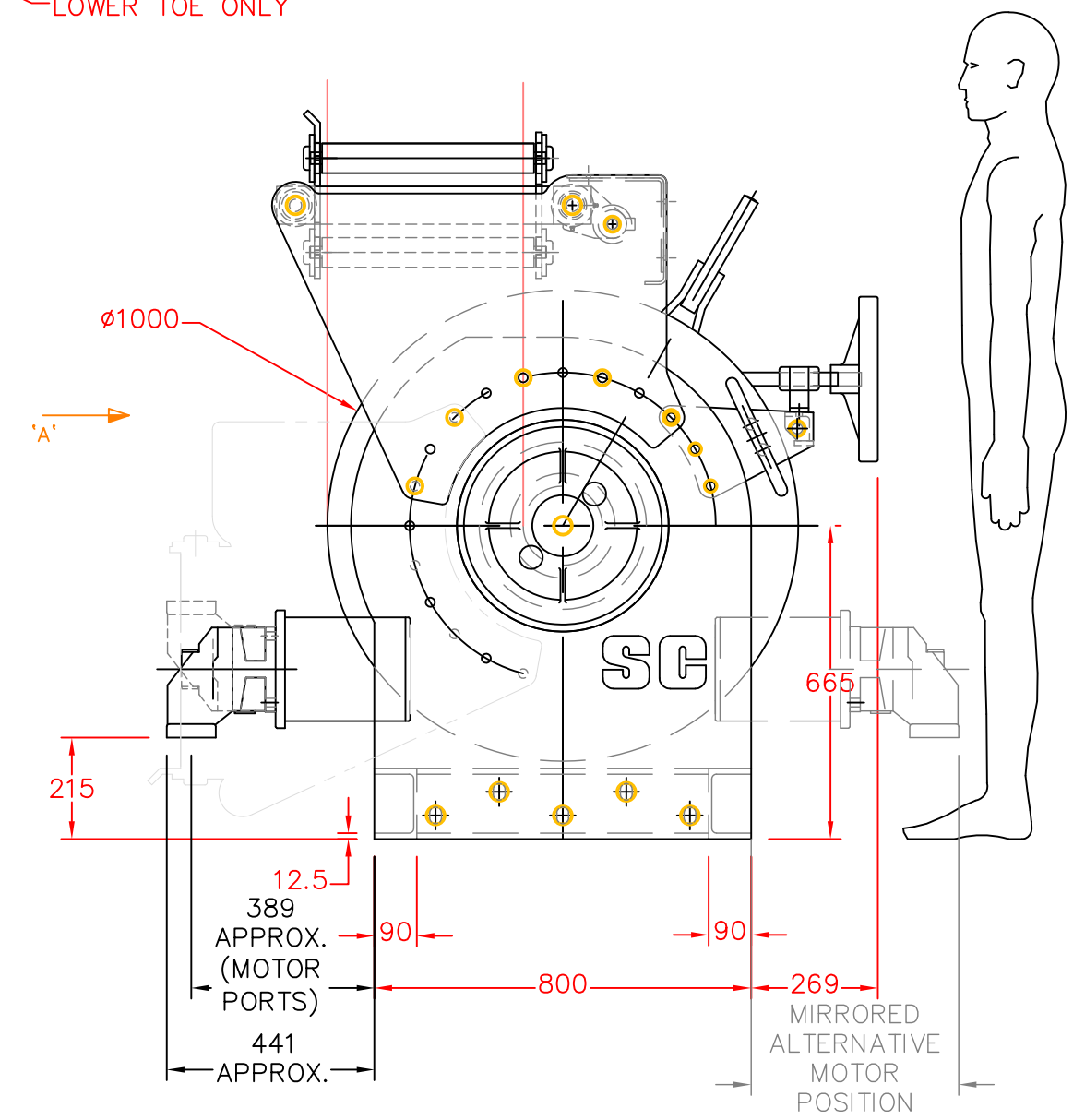
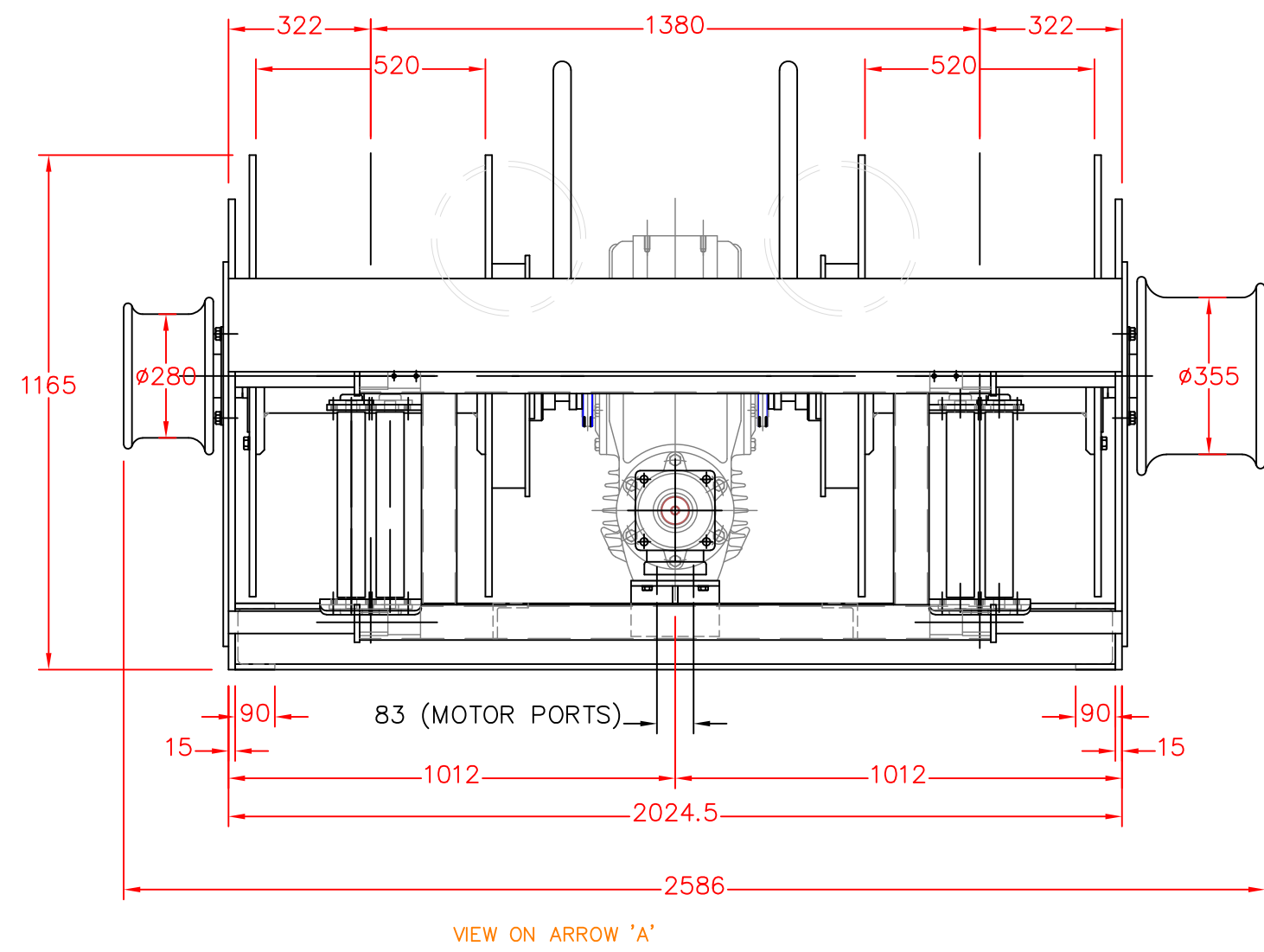
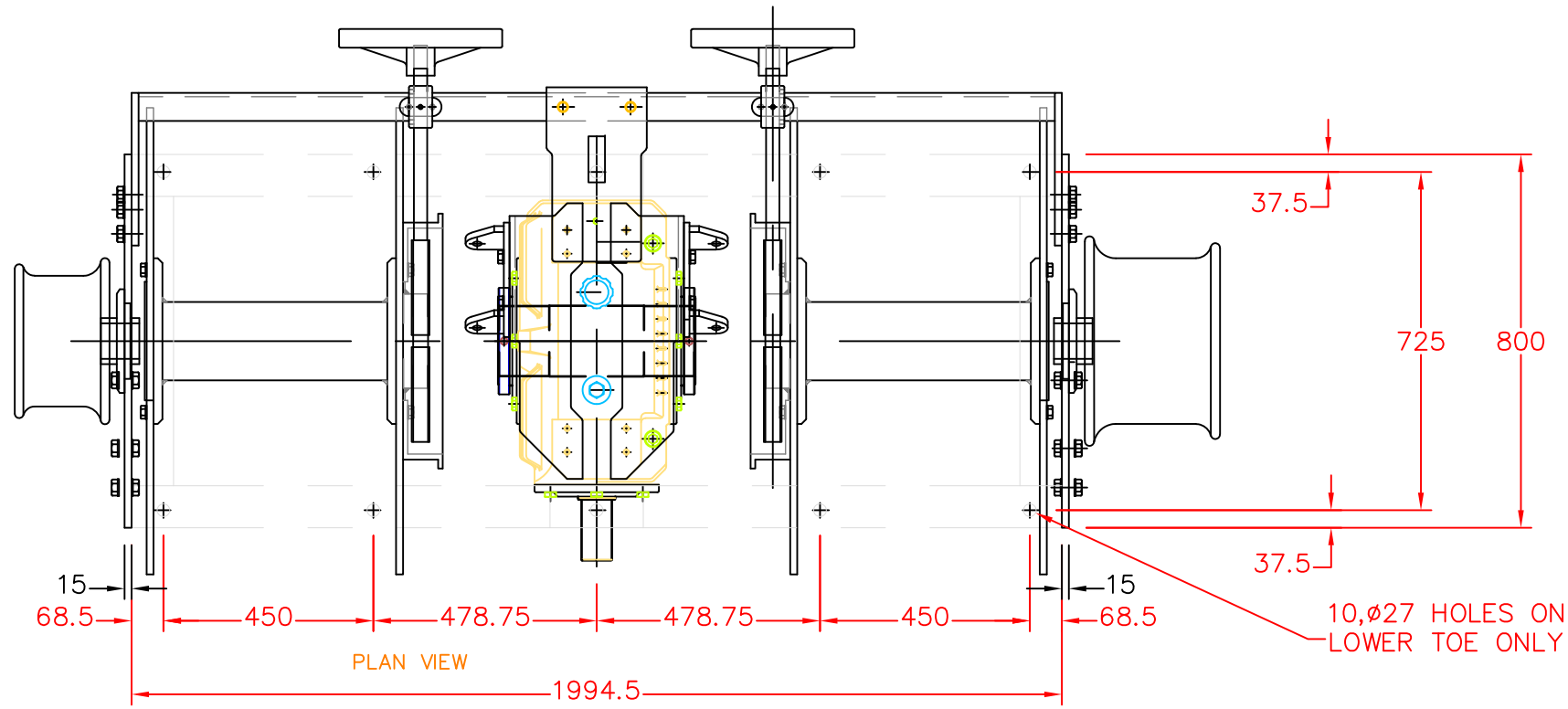


PROVISIONAL  
DRAWING



ALTERATIONS	DATE	ALTERATIONS	DATE	MATERIAL	MACHINING TOLERANCES ONE DEC. PLACE (.0) = $\pm 0.15$ mm TWO DEC. PLACE (.00) = $\pm 0.05$ mm NO DEC. PLACE = $\pm 0.4$ mm UNLESS OTHERWISE STATED		TITLE
				FINISH			3.5 TON TRAWL WINCH MK2 - 2 DRUM
				SCALE 1:15			SPENCER CARTER LTD. FALMOUTH, CORNWALL, U.K.
				DRN. A.M.	DATE 30.03.17		DRG.NO. 623-964
							TEL. (01326) 373423 FAX. (01326) 373571