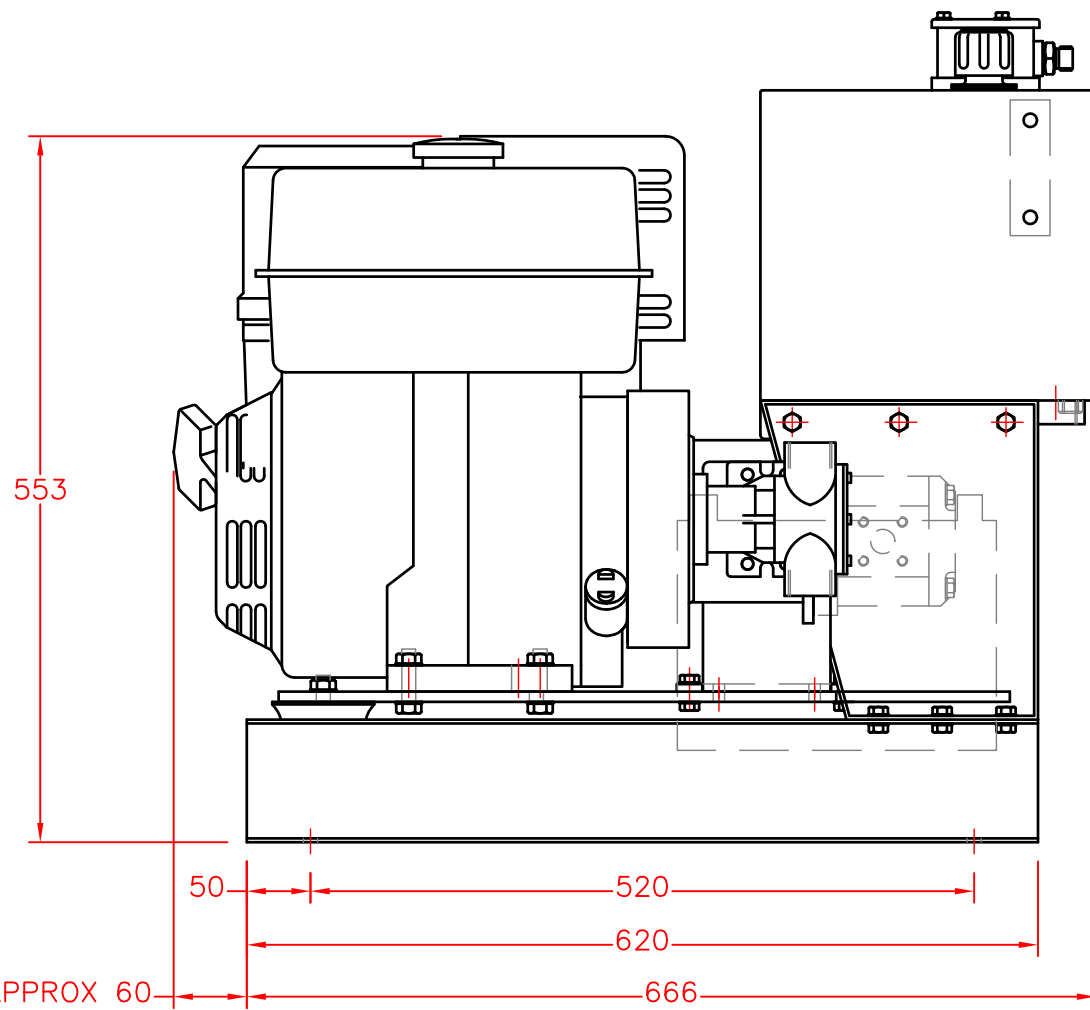
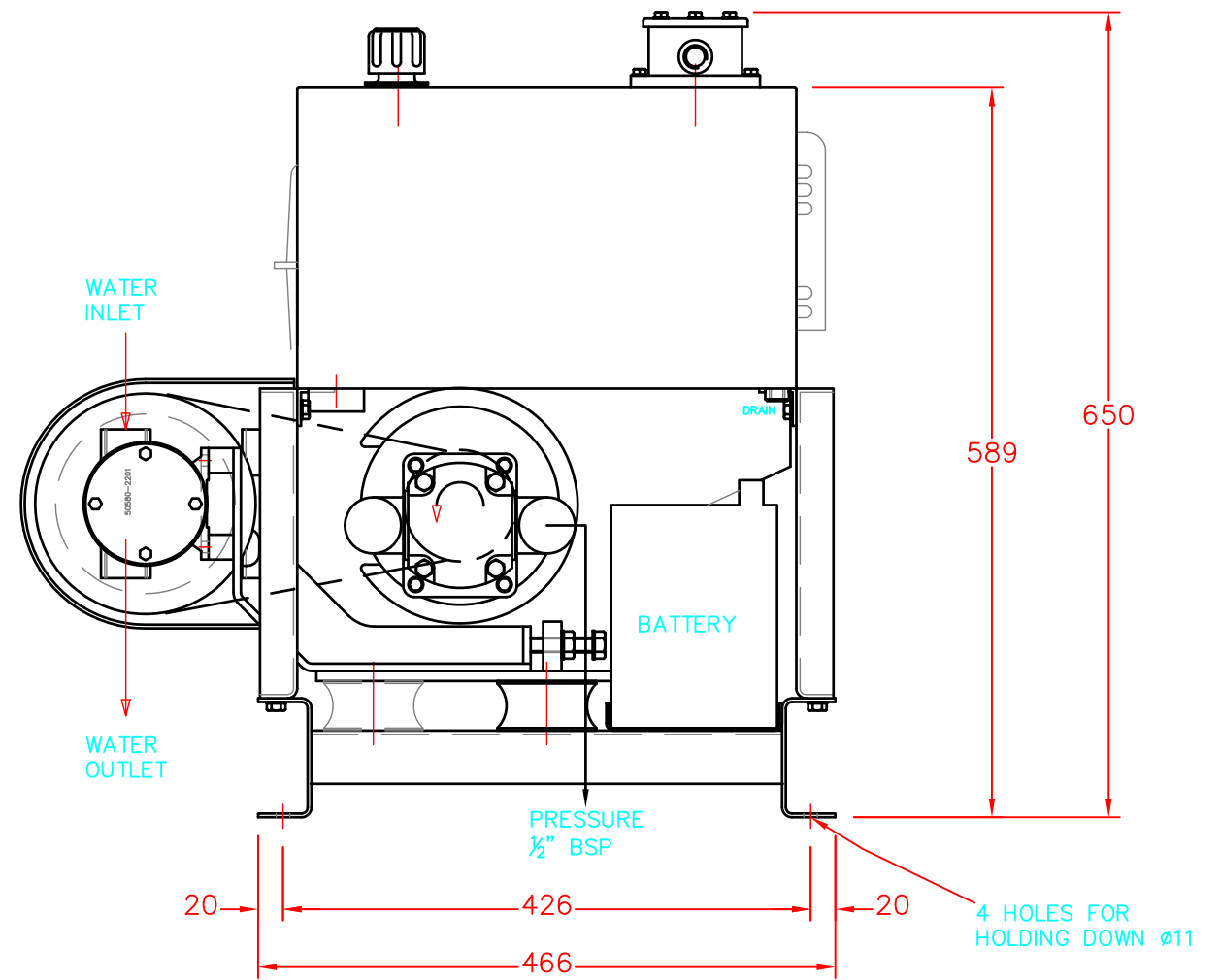


658



APPROX 60



589

650


20

426

20

4 HOLES FOR HOLDING DOWN Ø11

466

ALTERATIONS	DATE	ALTERATIONS	DATE	MATERIAL	MACHINING TOLERANCES ONE DEC. PLACE (.0) = ±.15mm TWO DEC. PLACE (.00) = ±.05mm NO DEC. PLACE = ±.4mm UNLESS OTHERWISE STATED		TITLE 13HP HONDA POWER PACK – JABSCO PUMP	
				FINISH			SPENCER CARTER LTD. FALMOUTH, CORNWALL, U.K.	DRG.NO. 623-764
				SCALE 1:6			TEL. (01326) 373423 FAX. (01326) 373571	
				DRN. A.M.				
				DATE 27.02.07				