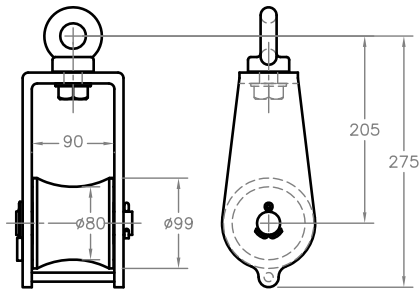
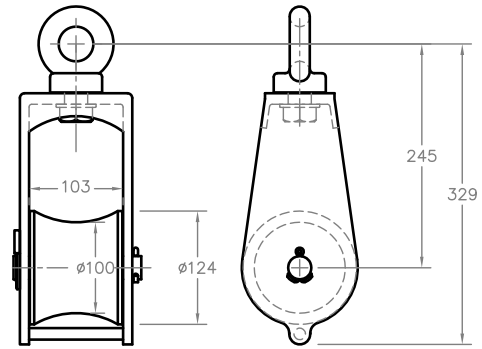


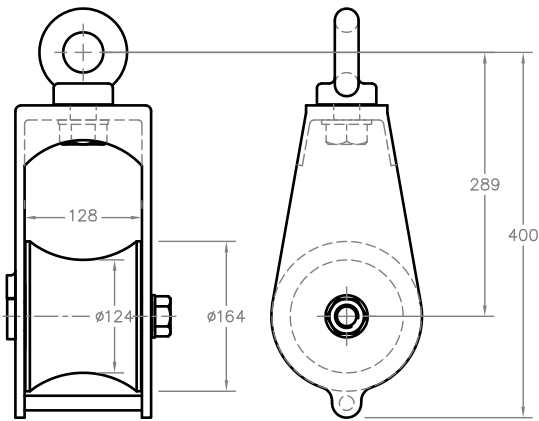
TRAWL BLOCKS for wire, have hardened steel sheaves with bronze bushed bearings.  
Frames for hanging blocks are steel fabricated and finished galvanised.  
Stainless steel spindles are drilled and fitted with a grease nipple for lubrication.



1 TON TRAWL BLOCK REF ST1  
Wt 8.5 Kg.

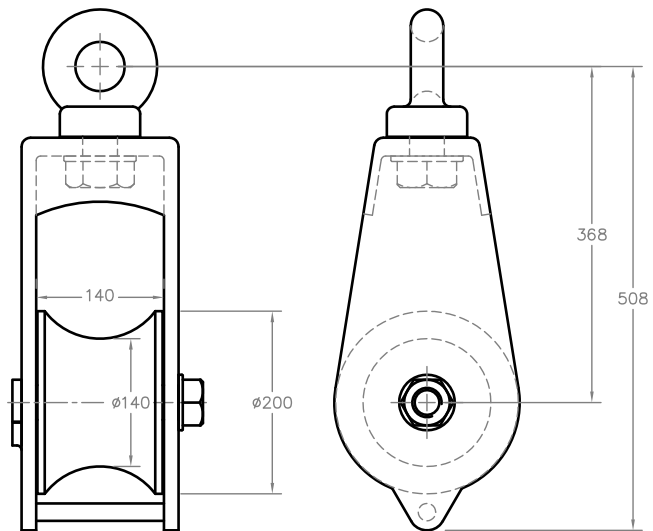


1.5 TON TRAWL BLOCK REF MT2  
Wt 14 Kg.



3.5 TON TRAWL BLOCK REF LT3  
Wt 26 Kg.

HARDENED STEEL SHEAVES are particularly well suited to wire rope and will provide exceptionally good service life. Sheaves and pins are replaceable.



6 TON TRAWL BLOCK REF BT4  
Wt 47 Kg.