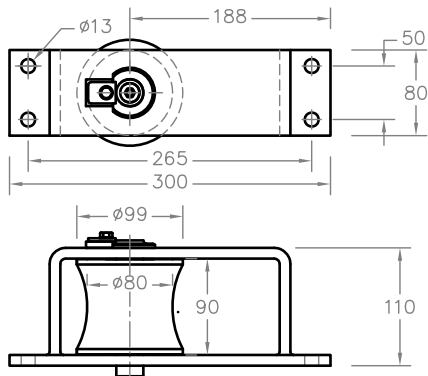
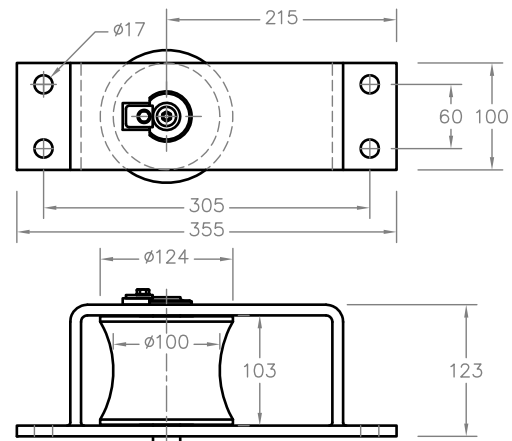


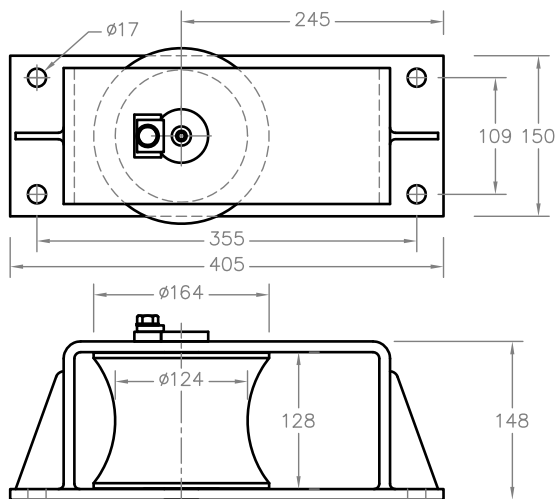
DECK BLOCKS for wire, have hardened steel sheaves with bronze bushed bearings. Frames for deck blocks are steel fabricated and finished galvanised. Stainless steel spindles are drilled and fitted with a grease nipple for lubrication.



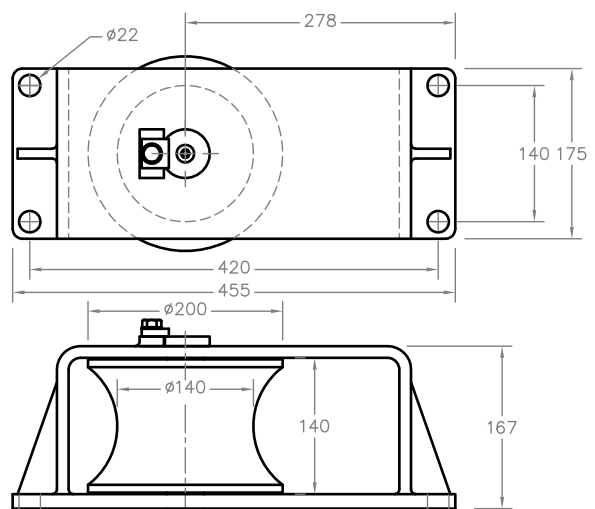
1 TON DECK BLOCK REF SD1
Wt 8.5 Kg.



1.5 TON DECK BLOCK REF MD2
Wt 14 Kg.



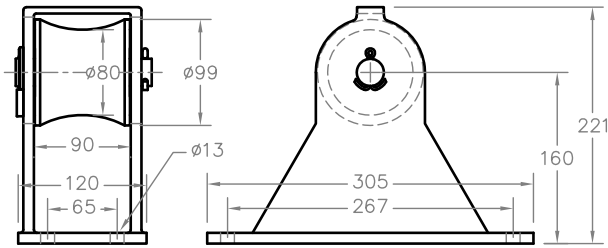
3.5 TON DECK BLOCK REF LD3
Wt 26 Kg.



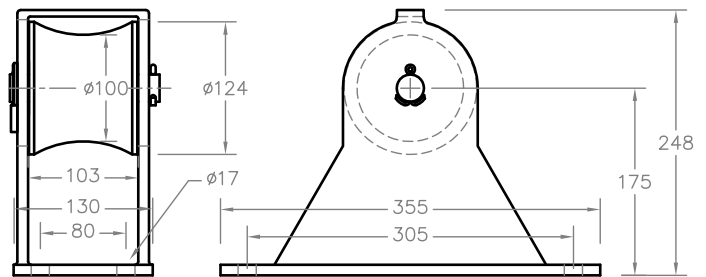
6 TON DECK BLOCK REF BD4
Wt 46 Kg.

HARDENED STEEL SHEAVES are particularly suitable for wire rope and will provide exceptionally good service life. Sheaves and pins are replaceable.

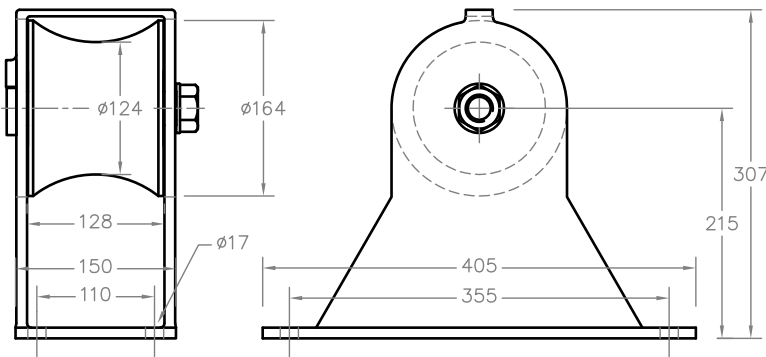
DECK BLOCKS for wire, have hardened steel sheaves with bronze bushed bearings. Frames for deck blocks are steel fabricated and finished galvanised. Stainless steel spindles are drilled and fitted with a grease nipple for lubrication.



1 TON DECK BLOCK 'A' TYPE
REF SD1A Wt 11 Kg.

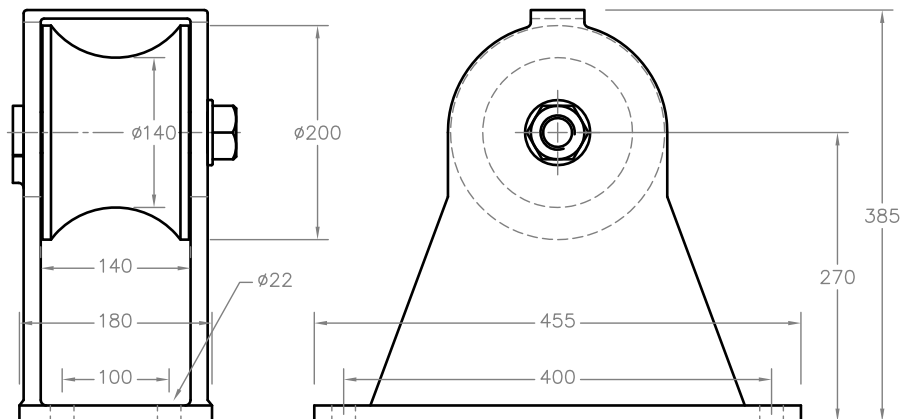


1.5 TON DECK BLOCK 'A' TYPE
REF MD2A Wt 17 Kg.



3.5 TON DECK BLOCK 'A' TYPE
REF LD3A Wt 28 Kg.

HARDENED STEEL SHEAVES are particularly well suited to wire rope and will provide exceptionally good service life. Sheaves and pins are replaceable.



6 TON DECK BLOCK 'A' TYPE
REF BD4A Wt 48 Kg.