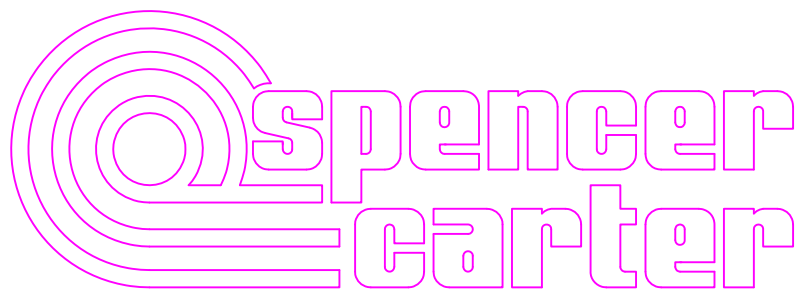
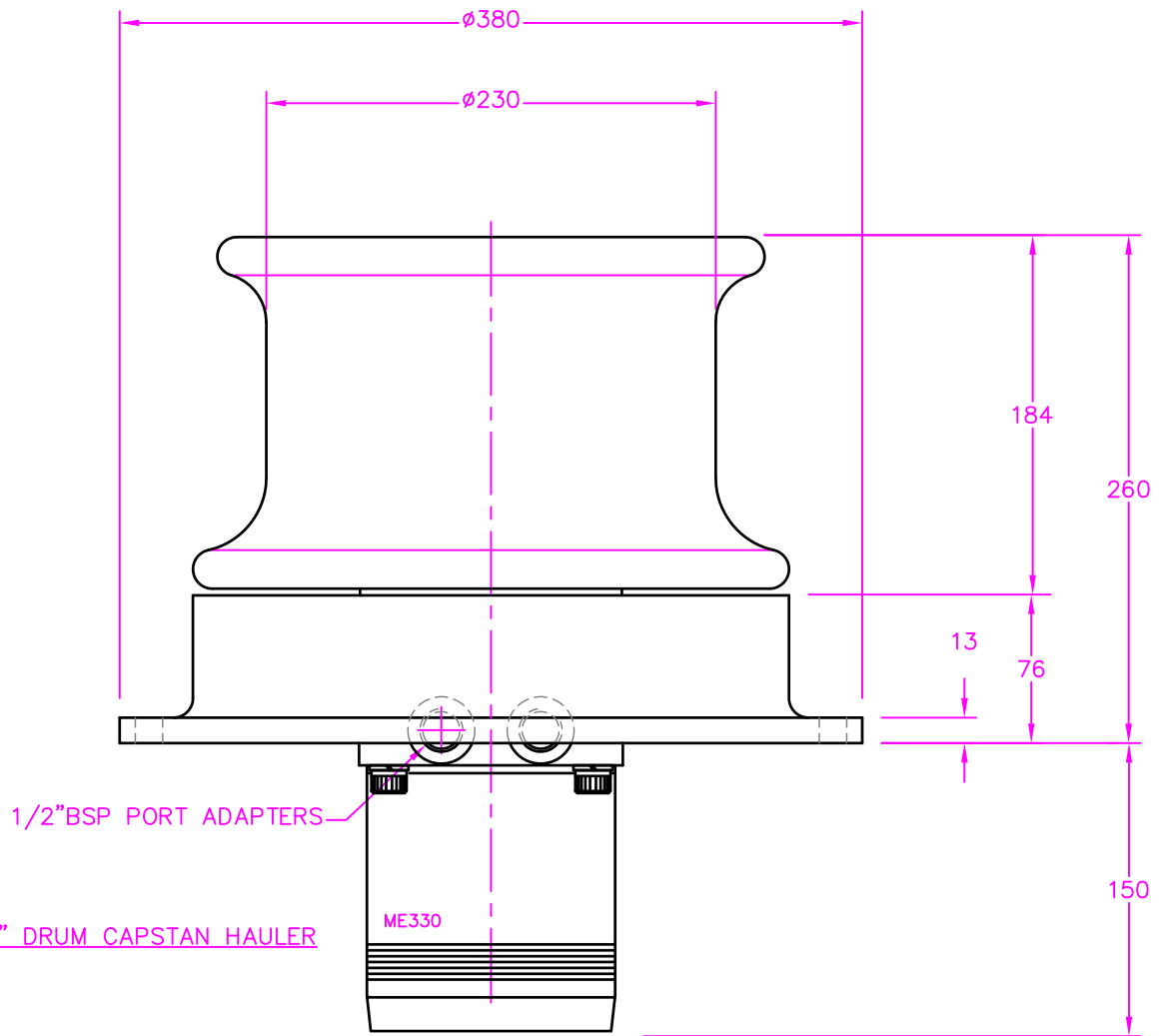
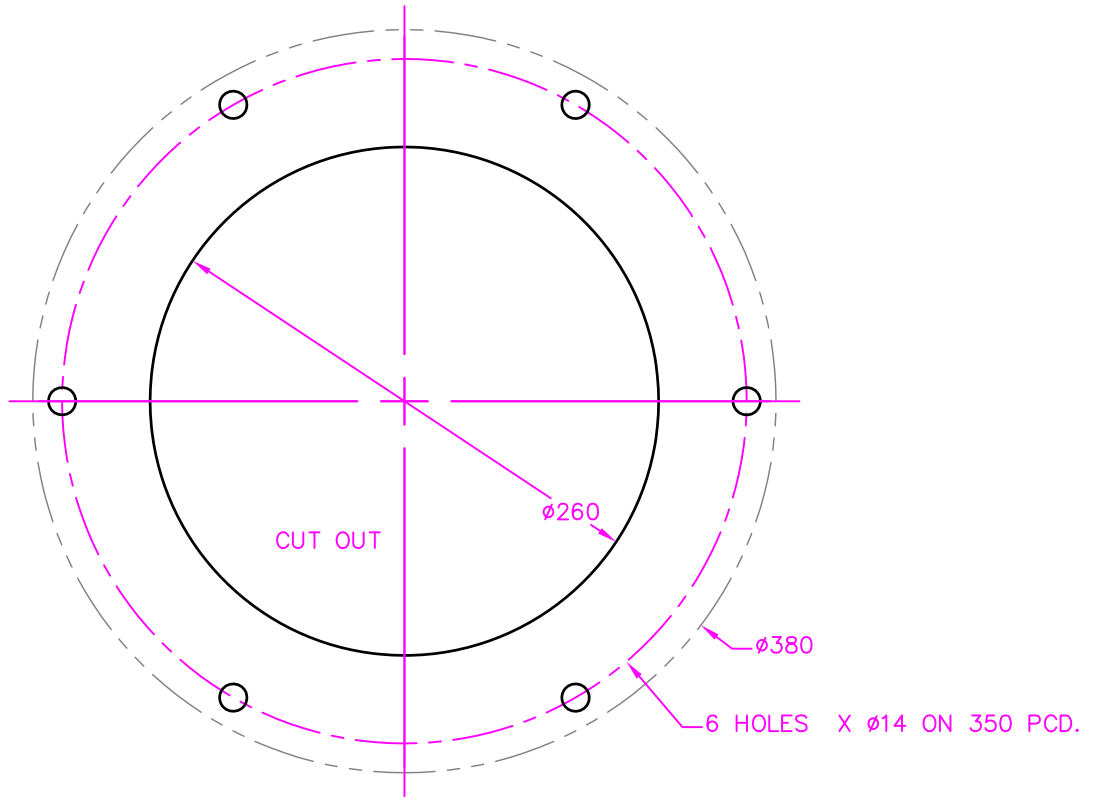


## 2000 LB CAPSTAN HAULER – C5



SPENCER CARTER LTD  
TREGONIGGIE INDUSTRIAL ESTATE  
FALMOUTH  
CORNWALL  
TR11 4SN  
U.K.

TEL. 01326 373423  
FAX. 01326 373571



2000 LB 9" DRUM CAPSTAN HAULER

Scale 1:4

2000 LB. 9" DRUM CAPSTAN HAULER – REF. C5

2000 LB. (900 Kg.) Nominal pull

A simple capstan drum hauler for potting, cargo handling, anchoring or mooring etc.

The base and bearing assembly are fabricated from steel, galvanised and painted. The capstan drum is cast iron. Sealed bearings require no maintenance.

Working speeds quoted in the specification are in line with fishing requirements. Slower speeds may be more suitable for mooring duties and a smaller pump, hoses, and reservoir size may then be utilised.

The capstan hauler is intended for continuous operation with limited static holding time. There will be a slow rotational 'creep' if the winch is made to hold a static load for an extended period.

2000 LB. 9" DRUM CAPSTAN HAULER REF C5

HYDRAULIC MOTOR SIZE \_\_\_\_\_ 330 CC/REV  
MOTOR TORQUE \_\_\_\_\_ 980 NM.  
AVERAGE WORKING SPEED \_\_\_\_\_ 50 METRES/MIN. (80 RPM)  
MAXIMUM WORKING SPEED \_\_\_\_\_ 100 METRES/MIN. (160 RPM.)

HYDRAULIC INPUT REQUIRED TO SUIT AVERAGE WORKING SPEED:

INPUT FLOW \_\_\_\_\_ 27 LITRES/MIN.  
INPUT PRESSURE \_\_\_\_\_ 210 BAR

TYPICAL CHOICE OF ASSOCIATED EQUIPMENT

HYDRAULIC PUMP/CLUTCH UNIT \_\_\_\_\_ REF. 3P14 (63 LPM @ 1000 RPM)  
RESERVOIR \_\_\_\_\_ REF. R18 (80 LITRE CAPACITY)  
RETURN LINE FILTER \_\_\_\_\_ REF. F2  
CONTROL VALVE \_\_\_\_\_ REF. 2V3  
HYDRAULIC HOSE SIZE \_\_\_\_\_ 3/4" BORE 2 WIRE REINFORCED

WEIGHT OF HAULER HEAD \_\_\_\_\_ APPROX. 65 KG.

