

' B A N D I T '

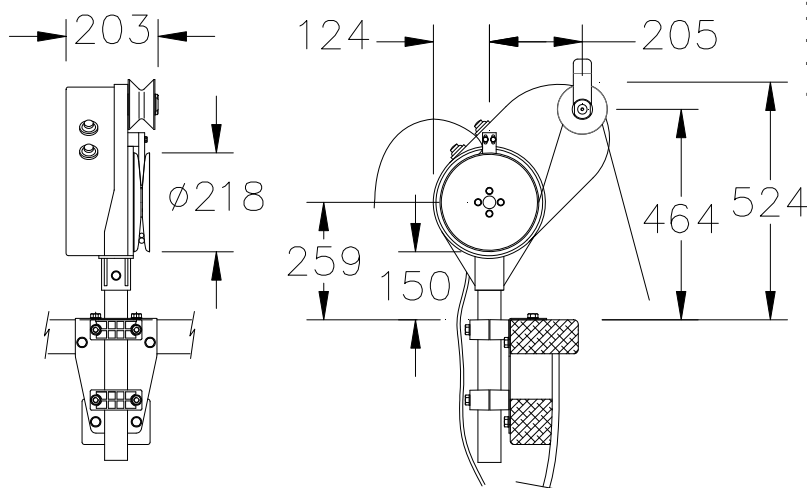
SLAVE HAULER

Designed and manufactured by Spencer Carter

ELECTRIC 12V DC



We would be happy to discuss battery requirements and installation, but would recommend taking advice from a qualified marine electrician.



SPECIFICATION

Hauling speedup to 23m/min
Power50kg pull
Rope size6-12mm dia ideally
Motor power150w
Weight17kg approx

A lightweight hauler designed to take the strain when hauling pots, for the part-time and leisure fisherman. Easily de-mountable for storage in a locker or wheelhouse. The powerful DC motor drives through a quality industrial worm and wheel gearbox which is synthetically lubricated for life.

The main body of the hauler is cast from marine grade aluminium and the drive motor and controls are contained inside the tough plastic cover.

Waterproof forward and reverse buttons, hold to run for safety, are fitted in the cover. The sheaves are stainless steel, roller and ejector knife are nylon.

The unit is supplied with an easily fitted gunwale mounting bracket and 1m flying power leads for customer connection or extending. A marine circuit breaker is also included for fitting in the power-line near to the battery.



Spencer Carter Ltd
Tregonnigie Industrial Estate,
Falmouth, Cornwall,
TR11 4SN
Tel: 01326 373423
Fax: 01326 373571
Email: Info@spencercarter.com
www.spencercarter.com