

HYDRAULIC SUPPLY REQUIRED _____ 64 LPM. @ 140 BAR
 THIS WILL BE AVAILABLE WITH PUMP SIZE 3P14 AND AN ENGINE
 SPEED OF 1000 RPM.

WINCH SPEED _____ 50 RPM
 WINCH TORQUE _____ 2000 NM

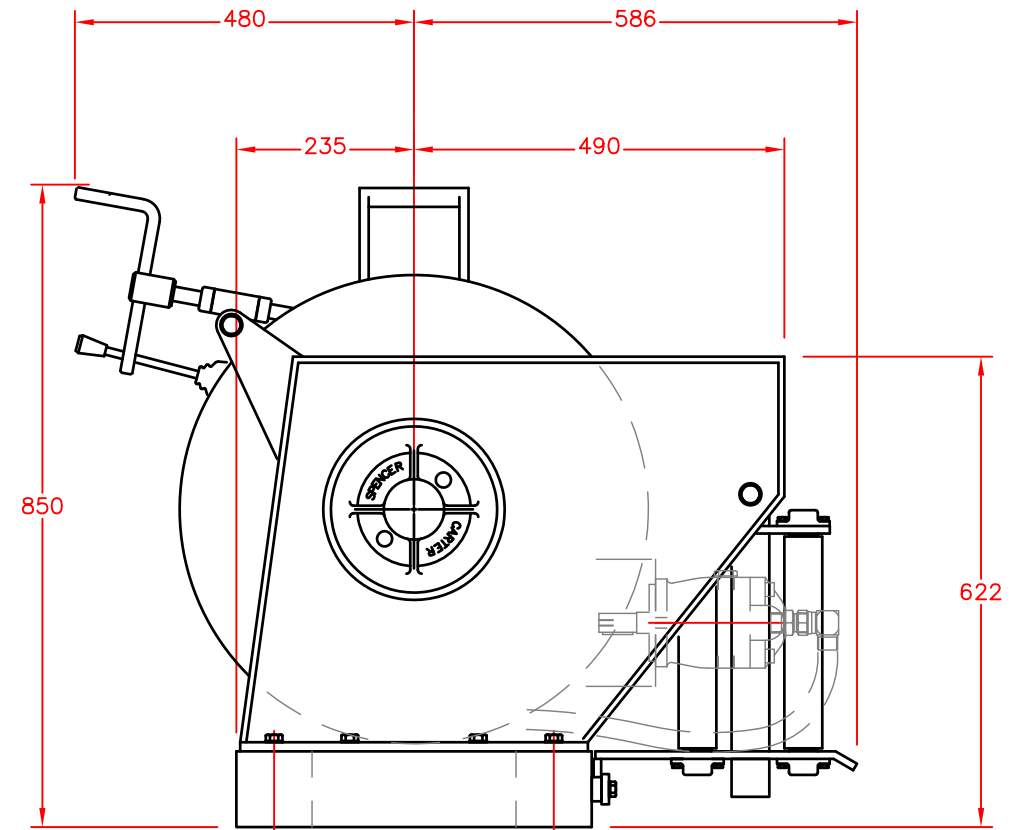
FIRST LAYER WIRE SPEED _____ 16 METRES/MINUTE
 MID LAYER WIRE SPEED _____ 45 METRES/MINUTE
 TOP LAYER WIRE SPEED _____ 70 METRES/MINUTE


WINCH PULL FIRST LAYER _____ 4.0 TONS
 MID LAYER _____ 1.2 TONS
 TOP LAYER _____ .8 TONS

WIRE CAPACITY TO TOP LAYER _____ 900M X 10 MM WIRE

THE TOP LAYER IS CALCULATED TO HAVE FILLED THE OVERSIZE WINCH
 DRUM TO Ø580.

APPROX. WEIGHT.....550 KG. EX WIRE



ALTERATIONS	DATE	ALTERATIONS	DATE	MATERIAL	MACHINING TOLERANCES ONE DEC. PLACE (.0) = ±.15mm TWO DEC. PLACE (.00) = ±.05mm NO DEC. PLACE = ±.4mm UNLESS OTHERWISE STATED		TITLE 1 TON TRAWL WINCH + OVERSIZE DRUMS	
				FINISH			SPENCER CARTER LTD. FALMOUTH, CORNWALL, U.K.	
				SCALE 1:10			DRG.NO. 623-558	
				DRN. M.J.S.			DATE 16.06.00	TEL. (01326) 373423 FAX. (01326) 373571