

THE FILLER CAP INCORPORATES AN INTERNAL STRAINER TO REDUCE THE RISK OF ACCIDENTAL CONTAMINATION WHILST FILLING. THE FILLER CAP ALSO INCORPORATES AN AIR BREATHER THAT WILL FILTER AIR ENTERING THE RESERVOIR WHEN IN SERVICE.

AN INTERNALLY FITTED OUTLET STRAINER IS INCLUDED TO FILTER OIL LEAVING THE RESERVOIR BEFORE CIRCULATING THE SYSTEM.

ALL HYDRAULIC SYSTEMS MUST INCLUDE A RETURN LINE FILTER. THIS WILL FINALLY REMOVE ALMOST ALL WEAR PARTICLES FROM THE OIL.

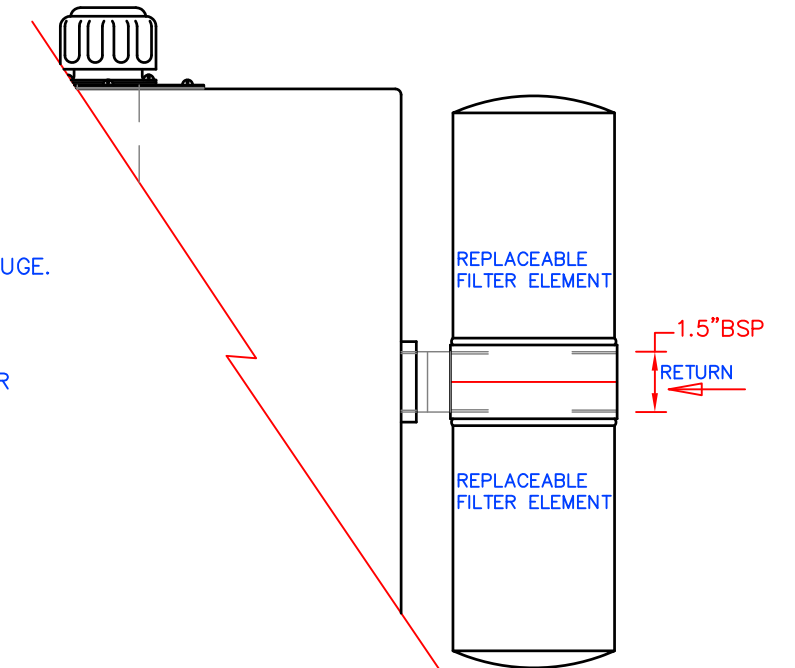
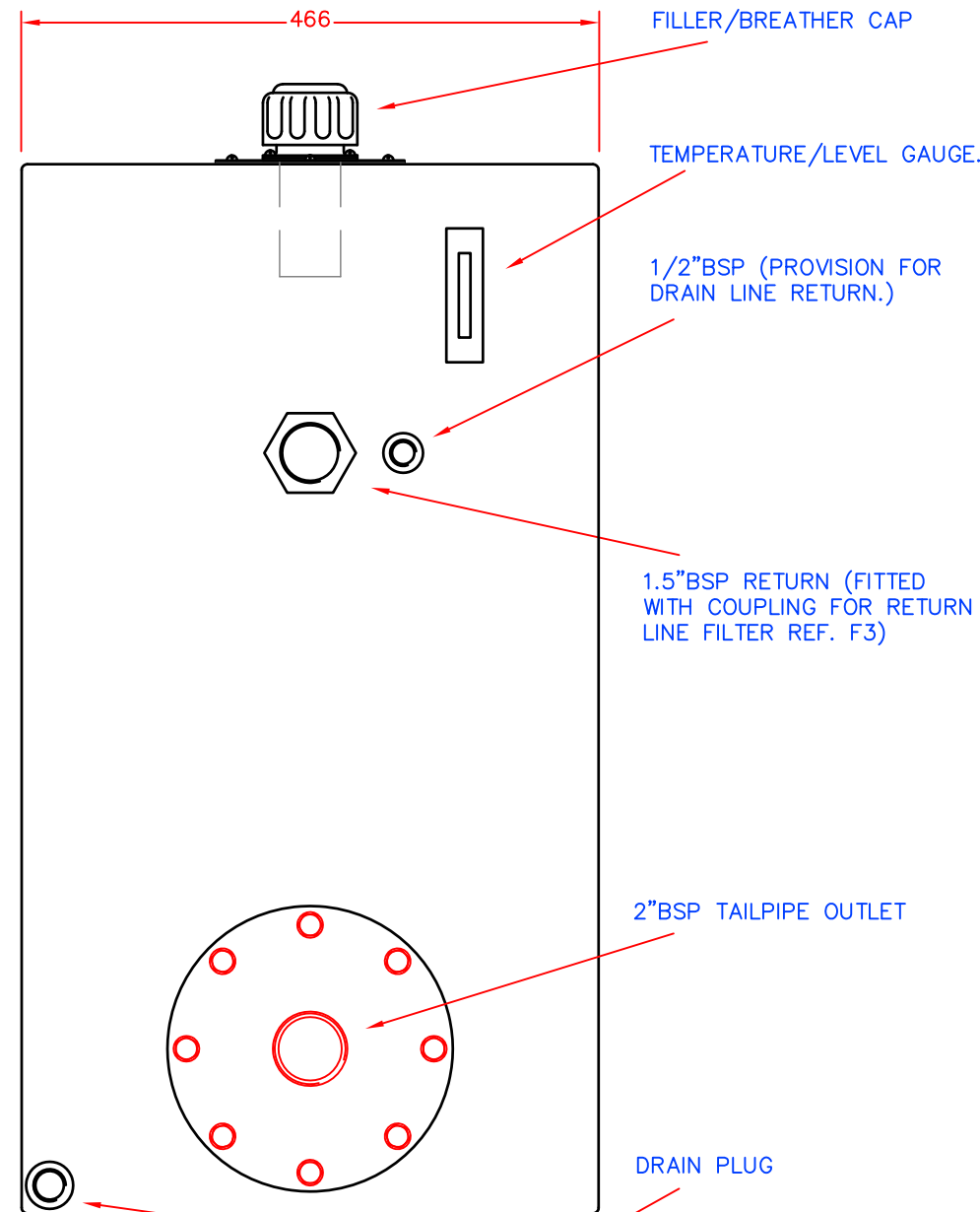
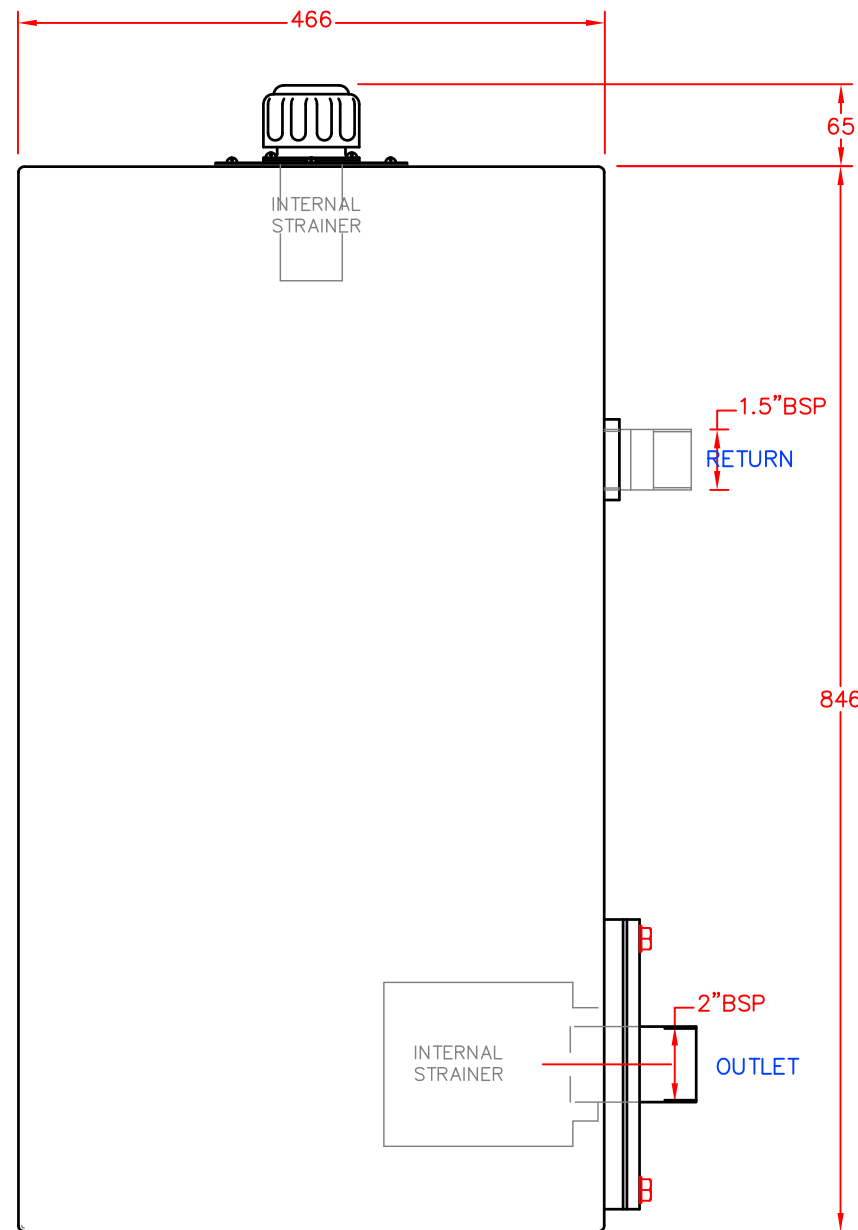
THE RESERVOIR SIZE IS DETERMINED BY PUMP OUTPUT, WORKING PRESSURE, AND LENGTH OF TIME THAT IT SHALL OPERATE.

IF NO OIL COOLER IS INCORPORATED IN THE SYSTEM, THE RESERVOIR ALONE WILL BE THE ONLY MEANS OF DISSIPATING HEAT, THEREFORE INSTALLATION ALLOWING AN AIR SPACE ALL ROUND THE RESERVOIR IS ESSENTIAL.

RESERVOIRS ARE FABRICATED IN MILD STEEL AND THE WELDING OF STRAPS OR BRACKETS ETC., FOR INSTALLATION IS PERMITTED.

RETURN LINE FILTER REF. F3
(SUITABLE FOR R36 RESERVOIRS)

RETURN LINE FILTER MAY FIT DIRECTLY TO RESERVOIR RETURN PORT.



RESERVOIR REF. R36

CAPACITY _____ 164 LITRES (36 GL.)
WEIGHT _____ 52 KG. (EMPTY)

SUPPLIED AS STANDARD WITH:-
FILLER/BREATHING CAP.
INTERNAL FILLER STRAINER.
INTERNAL STRAINER TO OUTLET.
2" BSP TAILPIPE OUTLET.
TEMPERATURE/LEVEL GAUGE.

FABRICATED FROM MILD STEEL, FINISHED PRIMED AND PAINTED.

ALTERATIONS	DATE	ALTERATIONS	DATE	SCALE 1:6	DRN. M.J.S.	DATE 06.11.97		TITLE RESERVOIR - REF R36 (36 GL.)	
								SPENCER CARTER LTD. FALMOUTH, CORNWALL, U.K. TEL. (01326) 373423 FAX. (01326) 373571	DRG.NO. 623-466