

HYDRAULIC SUPPLY REQUIRED _____ 37 LPM. @ 140 BAR
 THIS WILL BE AVAILABLE WITH PUMP SIZE 2P8 AND AN ENGINE
 SPEED OF 1000 RPM.

WINCH SPEED _____ 70 RPM
 WINCH TORQUE _____ 800 NM

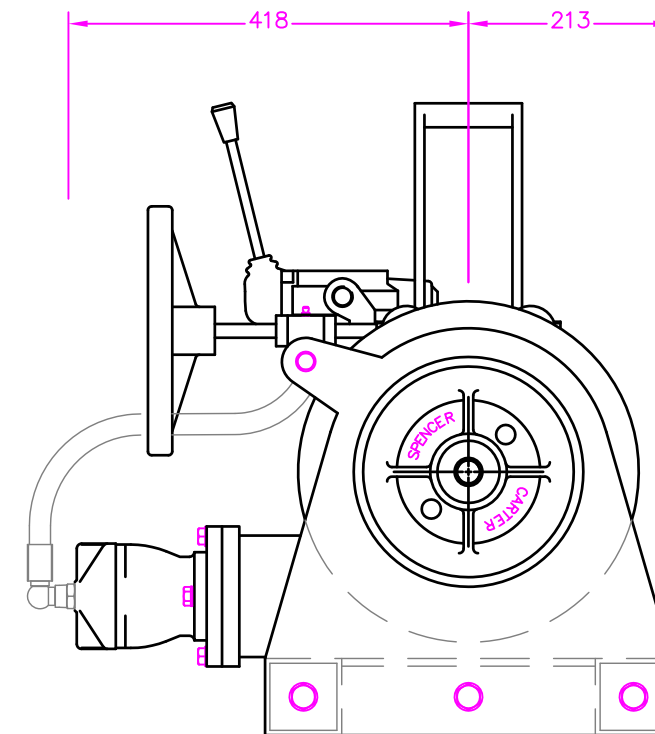
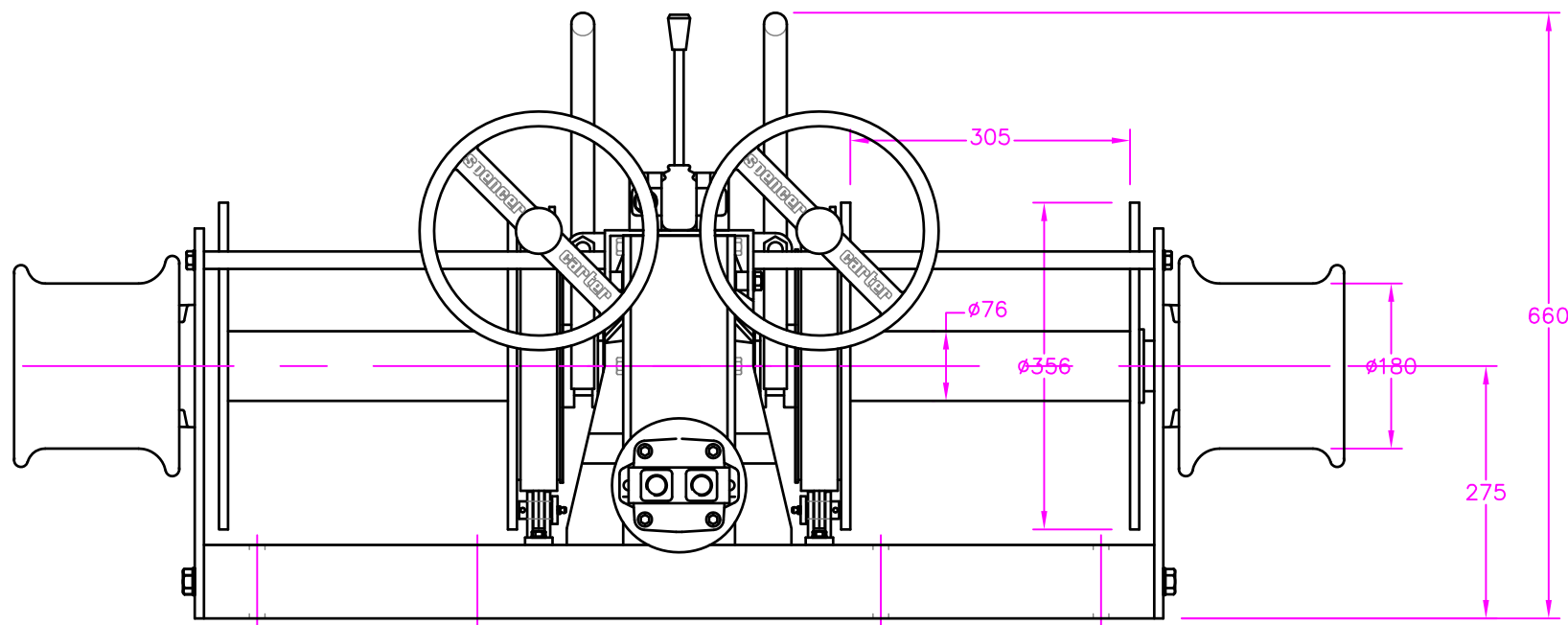
FIRST LAYER WIRE SPEED _____ 18 METRES/MINUTE
 MID LAYER WIRE SPEED _____ 40 METRES/MINUTE
 TOP LAYER WIRE SPEED _____ 65 METRES/MINUTE

WINCH PULL FIRST LAYER _____ 2.14 TONS
 MID LAYER _____ 0.69 TONS
 TOP LAYER _____ 0.5 TONS

WIRE CAPACITY TO MID LAYER _____ 180M X 8 MM WIRE
 TO TOP LAYER _____ 360M X 8 MM WIRE

THE TOP LAYER IS CALCULATED TO HAVE FILLED THE WINCH
 DRUM TO $\phi 320$.

WIEGHT.....250 KG.



ALTERATIONS	DATE	ALTERATIONS	DATE
SCALE		1:8	
DRN.	M.J.S.	DATE	05:07:97



TITLE 1/2 TON TRAWL WINCH - TW1	
SPENCER CARTER LTD. FALMOUTH, CORNWALL, U.K.	DRG.NO. 623-437
TEL. (01326) 373423 FAX. (01326) 373571	