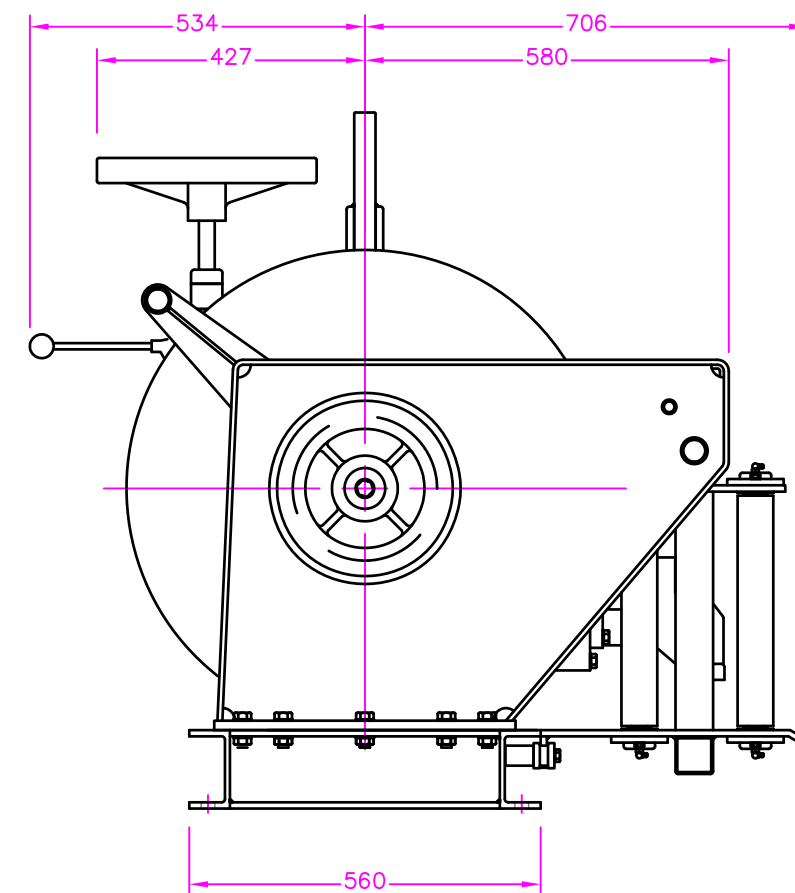
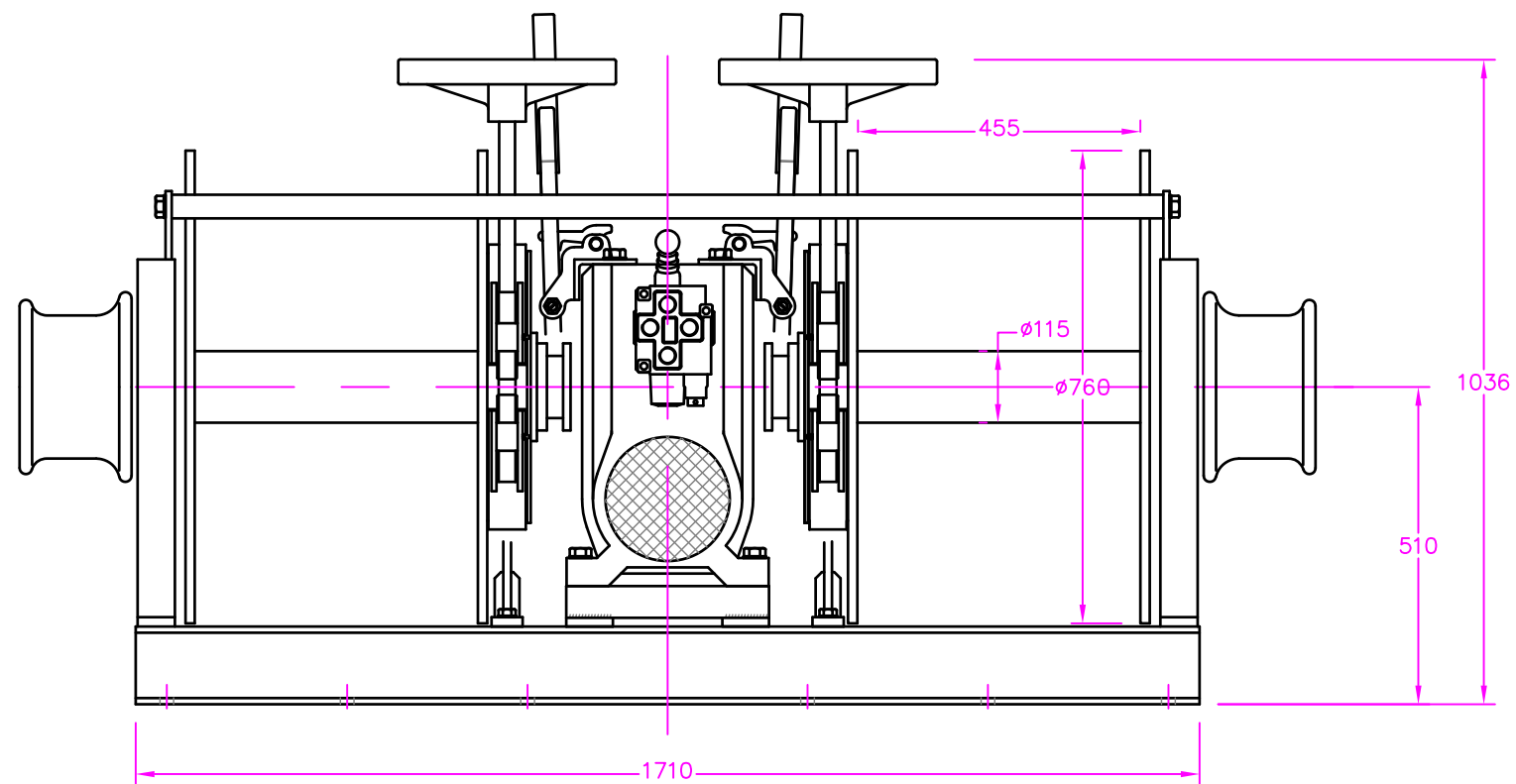


WEIGHT.....1080 KG.



HYDRAULIC SUPPLY REQUIRED \_\_\_\_\_ 114 LPM. @ 140 BAR  
THIS WILL BE AVAILABLE WITH PUMP SIZE 4P25 AND AN ENGINE SPEED OF 1000 RPM.

WINCH SPEED \_\_\_\_\_ 50 RPM  
FIRST LAYER WIRE SPEED \_\_\_\_\_ 19 METRES/MINUTE  
MID LAYER WIRE SPEED \_\_\_\_\_ 52 METRES/MINUTE  
TOP LAYER WIRE SPEED \_\_\_\_\_ 83 METRES/MINUTE

WINCH PULL FIRST LAYER \_\_\_\_\_ 6.45 TONS  
MID LAYER \_\_\_\_\_ 1.96 TONS  
TOP LAYER \_\_\_\_\_ 1.36 TONS

WIRE CAPACITY TO MID LAYER \_\_\_\_\_ 375M X 12MM WIRE  
TO TOP LAYER \_\_\_\_\_ 750M X 12MM WIRE

THE TOP LAYER IS CALCULATED TO HAVE FILLED THE WINCH DRUM TO  $\phi 550$ .

NOTE THAT THIS WINCH HAS OVERSIZE DRUMS AND THAT THERE IS 105 MM LEFT ALL ROUND OVER AND ABOVE THE TOP LAYER OF WIRE TO THE RIM OF THE DRUM FLANGE.

ALTERNATIVE SPEED FIGURES, USING A SMALLER PUMP SIZE,  
HYDRAULIC SUPPLY \_\_\_\_\_ 90 LPM. @ 140 BAR

THIS WILL BE AVAILABLE WITH PUMP SIZE 3P20 AND AN ENGINE SPEED OF 1000 RPM.

WINCH SPEED \_\_\_\_\_ 39 RPM  
FIRST LAYER WIRE SPEED \_\_\_\_\_ 15 METRES/MINUTE  
MID LAYER WIRE SPEED \_\_\_\_\_ 41 METRES/MINUTE  
TOP LAYER WIRE SPEED \_\_\_\_\_ 66 METRES/MINUTE

WINCH PULL WILL BE SAME AS STATED ABOVE.

|             |      |   |          |
|-------------|------|---|----------|
| ALTERATIONS | DATE | ALTERATIONS   | DATE     |
|             |      | Ⓐ BRAKE SCREWS NOW VERTICAL<br>CHASSIS SECTION CORRECTE | 08.03.06 |
|             |      |   |          |
|             |      | SCALE   | 1:12     |
|             |      | DRN.  | M.J.S.   |
|             |      | DATE  | 08.09.95 |



|   |         |
|---|---------|
| TITLE   |         |
| 2 TON TRAWL WINCH MK3 - + $\phi 150$ O/S DRUMS  |         |
| SPENCER CARTER LTD.<br>FALMOUTH, CORNWALL, U.K. | DRG.NO. |
| TEL. (01326) 373423<br>FAX. (01326) 373571      | 623-343 |